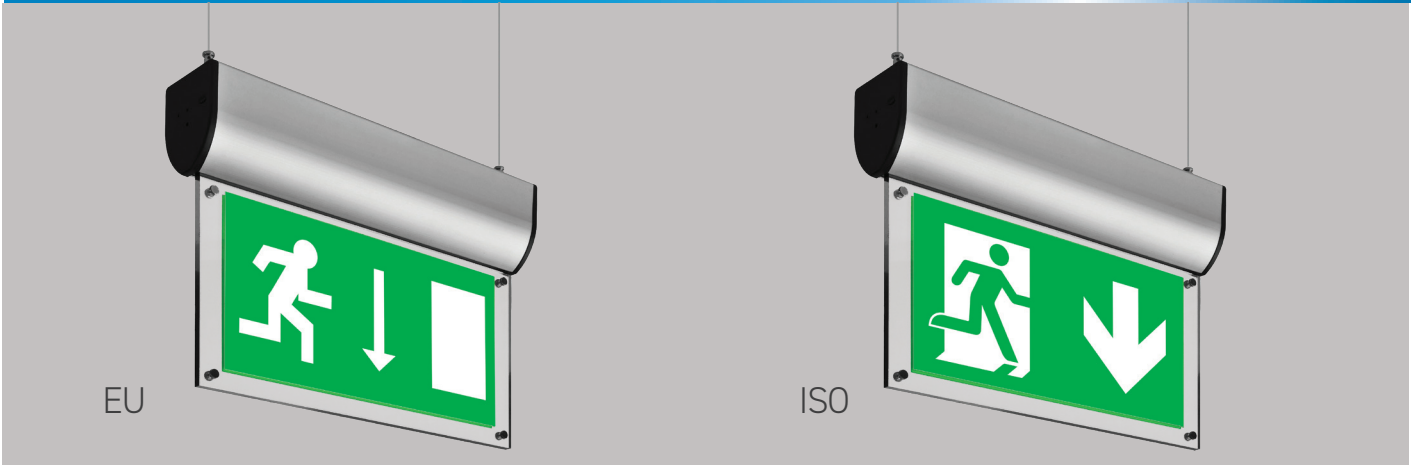


LXS004

Datasheet

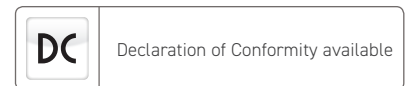
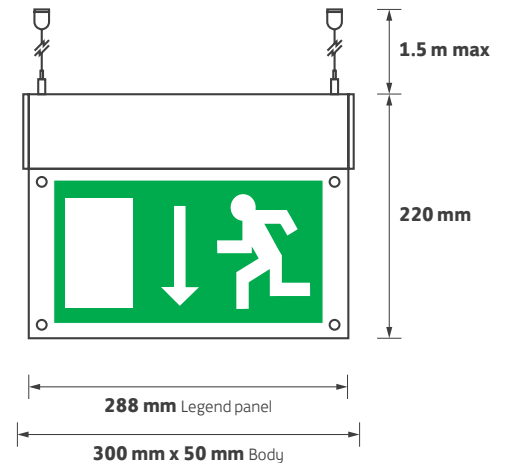
LUMEN LOOP



Features

- ▶ Maintained or non-maintained operation
- ▶ 15 x high intensity LEDs for bright, even illumination of legend
- ▶ Double sided acrylic legend panels conform to requirements of EU signs directive
- ▶ ISO signage also available
- ▶ Custom designed signage available
- ▶ Supplied with arrow down legend (EU)
- ▶ DALI / self-test version available
- ▶ Wall mounting bracket
- ▶ Compact lamp / gear housing compared with conventional light sources
- ▶ Wire suspension adjustable to 1.5 m drop

Technical Drawing



Ordering Information

Bezel Finish	Rated Duration	Recharge Time	Typical Lifetime	Model Ref.
Brushed Aluminium	3 hr	24 hr	50,000 hr	LXS004

Options

Please select from the options below.

DALI / self-test	/EMD
Reversible left / right legend panel (EU)	LXSLR
Double sided arrow up legend panel (EU)	LXSUP
Double side arrow down legend panel (ISO)	LXSAD/ISO
Reversible left / right legend panel (ISO)	LXSLR/ISO
Double sided arrow up legend panel (ISO)	LXSUP/ISO