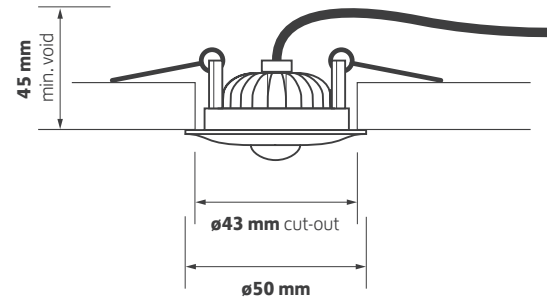




Features

- ▶ Independent LED Emergency Module
- ▶ Bi-colour circlight charge indicator
- ▶ IP54 ingress protection as standard
- ▶ 3 hour emergency duration
- ▶ Open area (OA) or corridor (CO) optics
- ▶ Self test and DALI options available
- ▶ Available in white (RAL9016) or black (RAL9005)

Technical Drawing



DC

Declaration of Conformity available

Ordering Information

Model Ref.	Output (lm)	Beam Angle	
		135°	115° x 155°
ILEM/OA	268	●	-
ILEM/CO	266	-	●

Options

Please select from the options below.

/BK	Black finish
/EMD	DALI + self-test
/EMP	EM-Pro (void access required)

Spacing Guide

Spacing Table - Open Area (/OA)

Mounting Height (m)	To Wall (m)		Between Luminaires (m)	
	0.5 Lux	1.0 Lux	0.5 Lux	1.0 Lux
2.5	5.4	4.5	12.5	10.7
3.0	5.9	4.7	13.9	11.7
4.0	6.6	-	16.2	13.1
5.0	0.3	-	17.7	0.5
6.0	-	-	18.7	-

Spacing Table - Corridor (/CO)

Mounting Height (m)	Along Corridor (Length)			
	To Wall (m)		Between Luminaires (m)	
	0.5 Lux	1.0 Lux	0.5 Lux	1.0 Lux
2.5	9.9	8.1	22.3	19.7
3.0	10.7	8.4	25.4	21.5
4.0	11.8	0.4	29.5	23.5
5.0	11.5	-	32.2	22.9
6.0	-	-	33.5	-

Independent LED EM Module

