

97 Series Datasheet

TRIDONIC
TECHNOLOGY
INSIDE

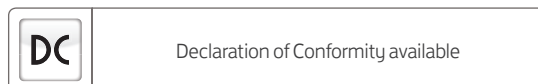
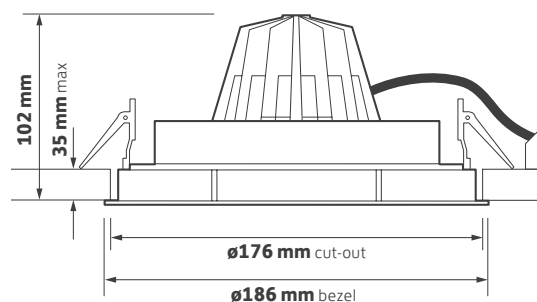
LUMEN LOOP



Key Features

- ▶ Professional gimbal with a wide choice of options and accessories
- ▶ Incorporates Tridonic LED module and driver systems
- ▶ UGR <19 and ETL compliant variants
- ▶ Multifaceted 40° reflector supplied as standard
- ▶ Height under 102 mm using optimised passive thermodynamics
- ▶ Emergency, DALI and dimming options
- ▶ 5 year warranty

Technical Drawing



Ordering Information

Fixed current Tridonic driver using quality components for general applications

Luminaire Output (lm)	Power (tcW)	Colour	Model Ref.
1025	8	830	97.001
1075	8	840	97.002
1725	14	830	97.003
1800	14	840	97.004
2375	19	830	97.005
2450	19	840	97.006
3150	28	830	97.007
3275	28	840	97.008

/TOP - 100,000h Tridonic Excite driver with I-select and loop-in/out function using high quality components for professional applications.

Options

Please select from the options below.

Black	/BK
25° multi-faceted	/MF25
60° multi-faceted	/MF60
40° specular	/SP40
50° satin	/SA50
100k h Tridonic Excite driver	/TOP
SwitchDIM, DALI or DSI	/ECO
Bluetooth wireless control - inc dim	/BTC
Emergency - remote indicator	/EM
DALI emergency - remote indicator	/EMD
Emergency - integral indicator	/EMI
DALI emergency - integral indicator	/EMDI

97 Series Options and Accessories

LUMENLOOP

Options



/BK
Black



/MF25
25° Multi-faceted reflector



/MF60
60° Multi-faceted reflector



/SP40
40° Specular reflector



/SA50
50° Satin reflector



/EM
3h EM conversion
c/w lizard indicator



/EMD
3h DALI / ST EM conversion
c/w lizard indicator



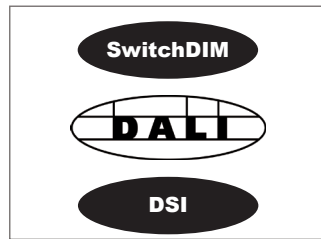
/EMI
3h EM conversion
c/w integral indicator



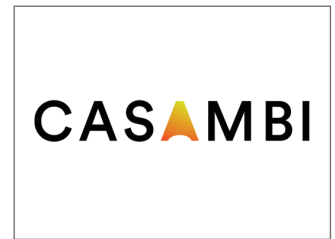
/EMDI
3h DALI / ST EM conversion
c/w integral indicator



/TOP
Tridonic Excite Driver - 100K hours
I-Select, Loop in - loop out



/ECO
SwitchDIM, DALI or DSI



/BTC
Casambi Bluetooth wireless
network (inc dim)

Accessories



TA210/BLACK
Frosted vertical halo



TA241
Centre etched glass