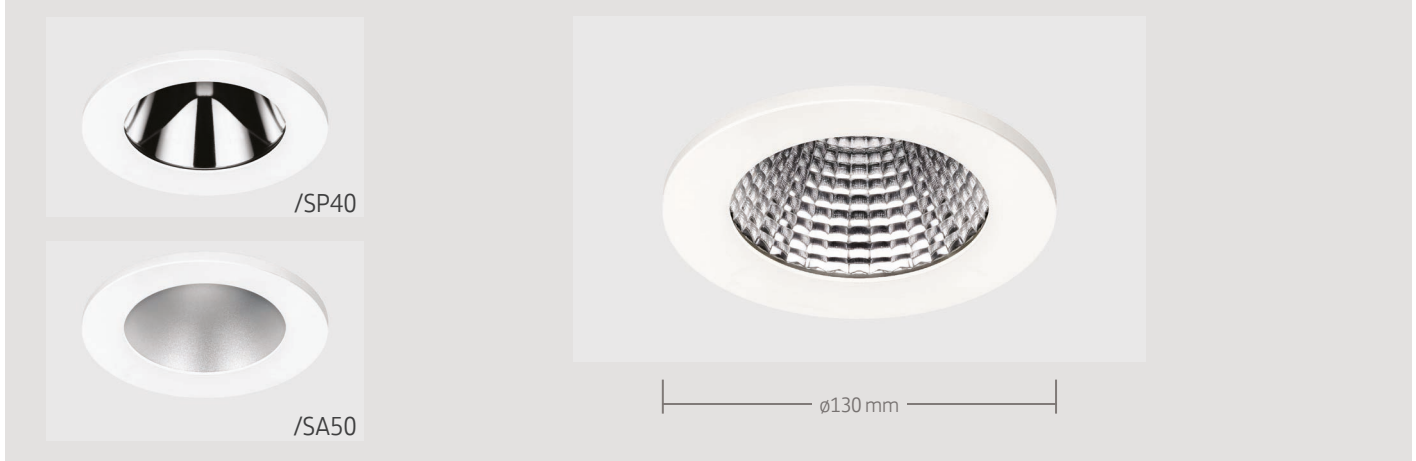


96 Series Datasheet

TRIDONIC
TECHNOLOGY
INSIDE

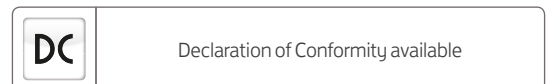
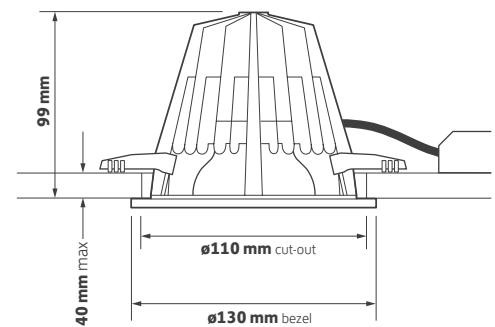
LUMEN LOOP



Key Features

- ▶ Professional downlight with a wide choice of options and accessories
- ▶ Incorporates Tridonic LED module and driver systems
- ▶ UGR <19
- ▶ ETL compliant variants available - Contact Sales
- ▶ Multi-faceted 40° reflector supplied as standard
- ▶ Height under 100mm using optimised passive thermodynamics
- ▶ Decorative and IP65 bezel options
- ▶ Emergency, DALI and dimming options
- ▶ 5 year warranty

Technical Drawing



Ordering Information

Fixed current Tridonic driver using quality components for general applications

Luminaire Output (lm)	Power (tcW)	Colour	Model Ref.
1025	8	830	96.001
1075	8	840	96.002
1725	14	830	96.003
1800	14	840	96.004
2375	19	830	96.005
2450	19	840	96.006
3150	28	830	96.007
3275	28	840	96.008

/TOP - 100,000h Tridonic Excite driver with I-select and loop-in/out function using high quality components for professional applications.

Options

Please select from the options below.

TA200 bezel options	/BWH, /WH, /GY, /BL
25° Multi-faceted	/MF25
60° Multi-faceted	/MF60
40° Specular	/SP40
50° Satin	/SA50
100k h Tridonic Excite driver	/TOP
SwitchDIM, DALI or DSI	/ECO
Bluetooth wireless control - inc dim	/BTC
Emergency - remote indicator	/EM
DALI Emergency - remote indicator	/EMD
Emergency - integral indicator	/EMI
DALI Emergency - integral indicator	/EMDI
Surface can options	See 181 Series

96 Series Options and Accessories

LUMENLOOP

Options



/MF25
25° Multi-faceted reflector



/SP40
40° Specular reflector



/SA50
50° Satin reflector



/MF60
60° Multi-faceted reflector



/EM
EM conversion with remote indicator



/EMD
DALI and Self-test EM conversion with remote indicator



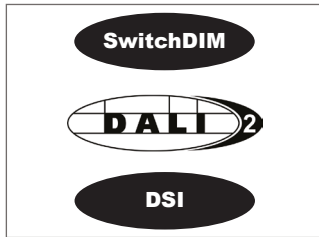
/EMI
EM conversion with integral indicator



/EMDI
DALI and Self-test EM conversion with integral indicator



/TOP
Tridonic Excite Driver - 100K hours
I-Select, Loop in - loop out



/ECO
SwitchDIM, DALI or DSI



/BTC
Casambi Bluetooth wireless network
(inc dim)



Surface Can
See 181 Series



Suspended Surface Can
See 181 Series

Accessories



TA200/WH
White bezel - RAL9010



TA200/GY
Grey bezel - RAL9006



TA200/BL
Black bezel - RAL9005



TA200/BWH
Brilliant white bezel - RAL9016



TA225/WH
White bezel drop clear halo



TA226/WH
White bezel drop opal halo



AT200/WH
White anti-tamper bezel



IP65/001/130
IP65 bezel clear poly



TA240
IP54 Clear glass



TA241
IP54 Centre etched glass



TA242
IP54 Fully etched glass



TA220/FROST
Frosted hi-light



TA220/BLUE
Blue hi-light



TA210/BLACK
Black snoot



TA210/FROST
Frosted snoot



TA210/BLUE
Blue snoot



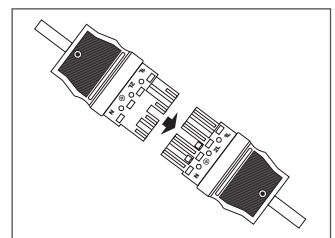
PI200
Plaster-in kit
Cut-out: 140mm / Height: 138 mm



HALOKIT.001
Halo kit - maximum cut-out 150 mm



GF208 / GF218
Anti-tamper driver / Anti-tamper bit



Product variations
Plug and Sockets