

87 Series Datasheet

PHILIPS
TECHNOLOGY
INSIDE

LUMEN LOOP



/SP40



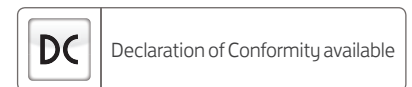
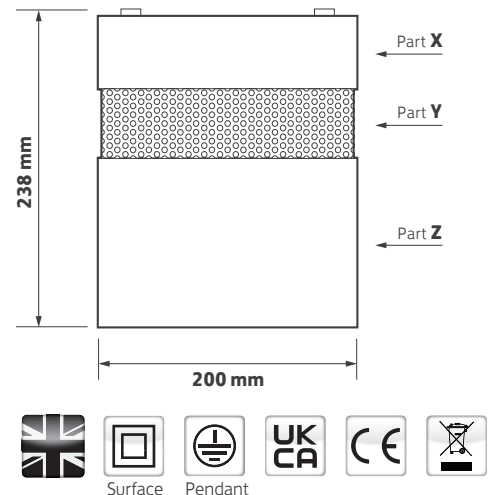
/MF50



Key Features

- ▶ Spun aluminium surface downlight with a wide range of options
- ▶ Philips LED and driver combination
- ▶ 60° satin etch reflector as standard
- ▶ Choice of paint finish options
- ▶ Life >60,000 hours (L70/B10)
- ▶ Integral DALI options
- ▶ Alternative reflector options
- ▶ 2 m suspension kit available
- ▶ Emergency options available (contact Sales)

Technical Drawing



Ordering Information

Luminaire Output lm	Power tcW	Colour	Model Ref.
1200	14.0	830	87.1100.30/XYZ
1300	14.0	840	87.1100.40/XYZ
1900	24.0	830	87.2000.30/XYZ
2075	24.0	840	87.2000.40/XYZ
2550	34.5	830	87.3000.30/XYZ
2775	35.0	840	87.3000.40/XYZ
3475	46.5	830	87.5000.30/XYZ
3800	46.5	840	87.5000.40/XYZ

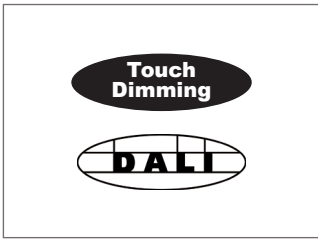
Options

Please select from the options below.

Part X	W = White B = Black G = Grey
Part Y	W = White B = Black G = Grey
Part Z	W = White B = Black G = Grey
Touch dimming / DALI	/T+DALI
50° multi-faceted reflector	/MF50
40° specular reflector	/SP40
2 m suspension kits	/SUS

87 Series Options and Accessories

Options



/T+DALI
Touch dimming / DALI



/SUSW
2 m suspension kit in white



/SUSG
2 m suspension kit in grey



/SUSB
2 m suspension kit in black

Code examples



/WBW
White, black, white



/WGW
White, grey, white



/BGB
Black, grey, black



/BBB
Black, black, black

Accessories (factory fit only)



TA340
Clear glass



TA341
Centre etched glass



TA342
Fully etched glass



TA343
Clear polycarbonate



TA344
Opal polycarbonate



Emergency conversions
Contact Sales



Any RAL colour
Contact Sales