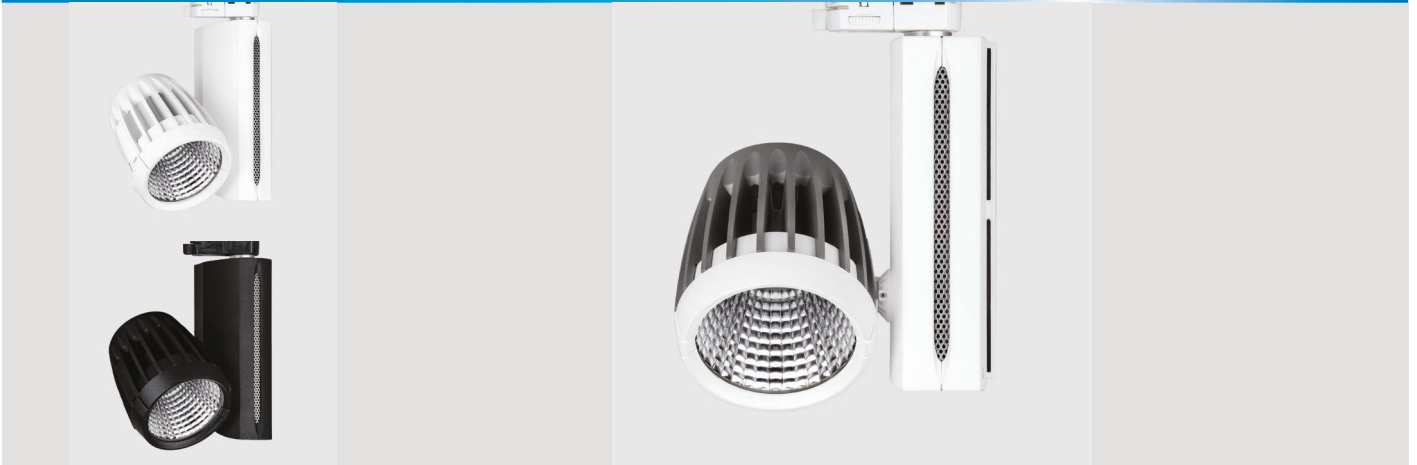


# 82 Series Datasheet

**PHILIPS**  
TECHNOLOGY  
INSIDE

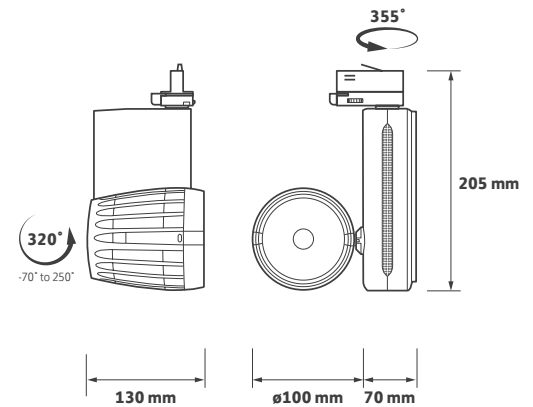
LUMEN LOOP



## Key Features

- ▶ High performance, high output, LED track spotlight
- ▶ Philips Premium White Ra90 LED module
- ▶ Highly efficient passive heatsink
- ▶ Low glare 40° multi-faceted reflector as standard
- ▶ Compatible with Global Trac, Stucchi and Eutrac systems
- ▶ DALI dimming option
- ▶ Life up to >50,000 hours (L70 / B10)

## Technical Drawing



DC

Declaration of Conformity available

## Ordering Information

Luminaire Output (lm)	Power (tcW)	Colour	Model Ref.
1150	11.5	930	<b>82.001</b>
1250	11.5	940	<b>82.002</b>
1800	19.5	930	<b>82.003</b>
1925	19.5	940	<b>82.004</b>
2425	27.0	930	<b>82.005</b>
2600	27.0	940	<b>82.006</b>
3450	43.5	930	<b>82.007</b>
3725	43.5	940	<b>82.008</b>

## Options

Please select from the options below.

White body, white heatsink	<b>/WH</b>
Black body, grey heatsink	<b>/BKGY</b>
Black body, black heatsink	<b>/BK</b>
DALI dimming	<b>/DALI</b>
25° narrow beam reflector	<b>/NB</b>
60° wide beam reflector	<b>/WB</b>
Barn doors	<b>/BD</b>
Snoot	<b>/SN</b>

# 82 Series Options

LUMENLOOP

## Options



**/DALI**  
DALI dimming



**/NB**  
25° narrow beam reflector



**/WB**  
60° wide beam reflector



**/BD**  
Barn doors



**/SN**  
Snoot



**/HC**  
Honeycomb louvre



**9000/BP-D-W**  
Surface mounting pattress - White



**9000/BP-D-B**  
Surface mounting pattress - Black

## Finishes



**/WH**  
White - RAL9016



**/BKGY**  
Black - RAL9005 / Grey - 9007



**/BK**  
Black - RAL9005

## Also Available



**Product variations**  
Other colours and specifications available on request



**Tridonic modules**  
See 80 Series datasheet



**Xicato modules**  
Contact Sales



**Track**  
See Stucchi ONETRACK datasheet