

80 Series Datasheet

TRIDONIC
TECHNOLOGY
INSIDE

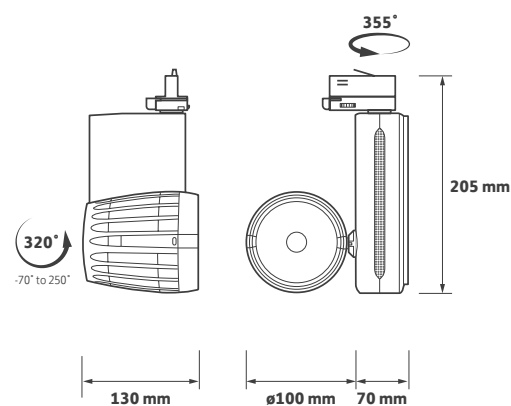
LUMEN LOOP



Key Features

- ▶ High performance, high output, LED track spotlight
- ▶ Highly efficient passive heatsink
- ▶ Low glare 40° multi-faceted reflector as standard
- ▶ Compatible with Global Trac, Stucchi and Eutrac systems
- ▶ RAL 9016 white with RAL9007 grey heatsink as standard, other options available
- ▶ DALI dimming option
- ▶ Life >55,000 hours (L80 / F10)

Technical Drawing



DC Declaration of Conformity available

Ordering Information

Luminaire Output (lm)	Power (tcW)	Colour	Model Ref.
3200	27.0	830	80.001
3300	27.0	840	80.002
4000	35.0	830	80.003
4150	35.0	840	80.004
4575	41.5	830	80.005
4675	41.5	840	80.006

Options

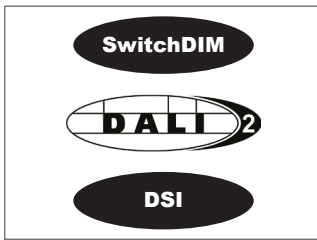
Please select from the options below.

Black body, grey heatsink	/BKGY
White body, white heatsink	/WH
Black body, black heatsink	/BK
SwitchDIM, DALI or DSI	/ECO
100,000 hour Tridonic Excite driver	/TOP
25° narrow beam	/NB
60° wide beam	/WB
Barn doors - Black	/BD
Snoot - Black	/SN

80 Series Options

LUMENLOOP

Options and accessories



/ECO
SwitchDIM, DALI or DSI



/TOP
100,000 hour Tridonic Excite driver



/NB
25° narrow beam reflector



/WB
60° wide beam reflector



/BD
Barn doors - Black



/SN
Snoot - Black



9000/BP-D-W
Surface mounting pattress - White



9000/BP-D-B
Surface mounting pattress - Black



/HC
Honeycomb louvre



/BKGY
Black - RAL9005 Grey - RAL9007



/WH
White body and heatsink - RAL9016



/BK
Black body and heatsink - RAL9005

Also Available



Product variations
Other colours and specifications available on request



Philips modules
See 82 Series datasheet



Xicato modules
Contact Sales



Track
See Stucchi ONETRACK datasheet