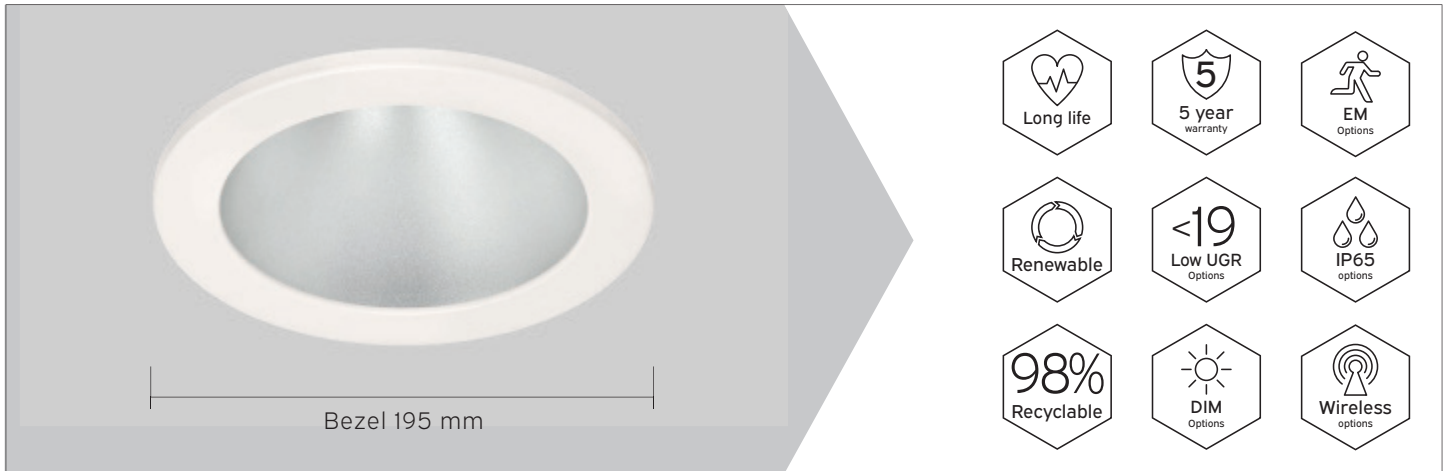


62 Series

Data Sheet



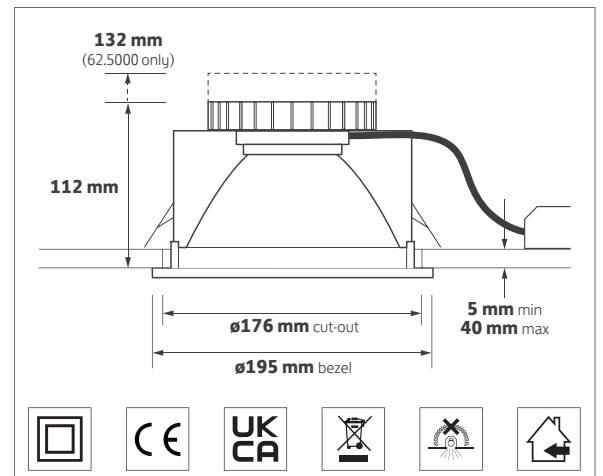
LUMENLOOP



KEY FEATURES

- Professional, high performance LED downlight
- 60° satin etched aluminium reflector
- Philips DLM LED module and driver system
- IP54 and IP65 options
- DALI, dimming, emergency and wireless control options
- Nominal rated life >60,000 hrs @ L70/B10
- MacAdam colour tolerance <3 SDCM

DIMENSIONS



ORDERING INFORMATION

Luminaire output (lm)	Colour temp	Luminaire power (tcW)	Luminaire efficacy (lm/tcW)	Model ref.
1025	830	9.5	108	62.1100.30
1100	840	9.5	116	62.1100.40
1750	830	17.5	100	62.2000.30
1900	840	17.5	109	62.2000.40
2700	830	30.0	90	62.3000.30
2925	840	30.0	98	62.3000.40
4200	830	46.5	90	62.5000.30
4550	840	46.5	98	62.5000.40

See Technical Datasheet for information on alternative reflector types

OPTIONS

Options	Suffix
Reflectors	MF50, /SP40
Control gear	/T+DALI, /BTC
TA300 bezel options	/WH, / BWH, /BL, /GY
IP65 option	/65
Emergency - Remote indicator	/EM, /EMD
Emergency - Integral indicator	/EMI, /EMDI

62 Series

Options



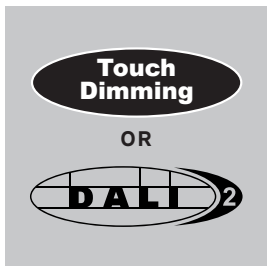
/MF50

50° multi-facet
reflector



/SP40

40° specular
reflector



**Touch
Dimming**

OR

DALI 2

/T+DALI

Touch dimming or DALI
control gear



/BTC

Casambi wireless
network inc. dimming



/EM

Emergency
Remote indicator



/EMD

DALI / Self test EM
Remote indicator



/EMI

Emergency
Integral indicator



/EMDI

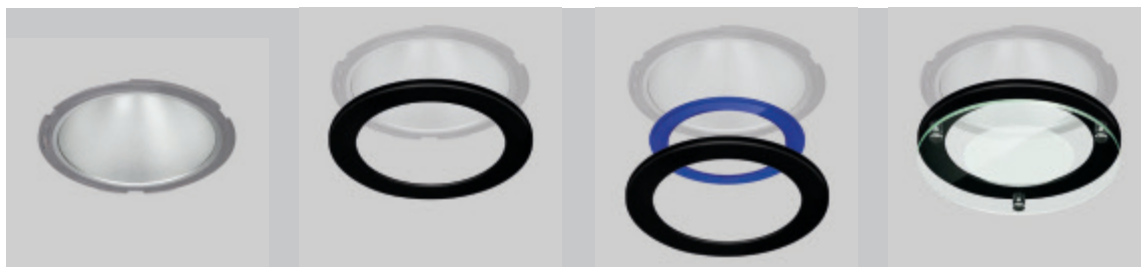
DALI / Self test EM
Integral indicator

62 Series Accessories



Made in the UK

LUMENLOOP



/TL

Twist & lock bezel
option

Bezel

Bezel + accessory

Dropped glass bezel



TA300/WH

White bezel
RAL 9010



TA300/BWH

Brilliant white bezel
RAL 9016



TA300/BL

Black bezel
RAL 9005



TA300/GY

Grey bezel
RAL 9006



HALOKIT.002

Bezel extender halo



TA310/FROST

Frosted snoot



TA310/BLUE

Blue snoot



PV - Contact Sales

Black snoot



TA384

Frost hi-light



TA385

Blue hi-light

62 Series

Accessories



TA340
IP54 sealed
clear glass



TA341
IP54 sealed
centre etched glass



TA342
IP54 sealed
fully etched glass



TA343
IP54 sealed
clear polycarbonate



TA344
IP54 sealed
opal polycarbonate



TA317
IP44 sealed
prismatic lens



TA301
Dropped glass bezel
c/w outer etched glass



TA302
Dropped glass bezel
c/w clear glass



TA303
Dropped glass bezel
c/w centre etched glass



TA305
Dropped glass bezel
c/w clear halo glass



TA306
Dropped glass bezel
c/w etched halo glass



TA307
Dropped glass bezel
c/w etched glass

62 Series

Accessories



Made in the UK

LUMENLOOP



/65
IP65 option



Bezel + lens



IP65/002/195
White IP65 bezel
Clear glass



IP65/008/195
White IP65 bezel
Opal polycarbonate

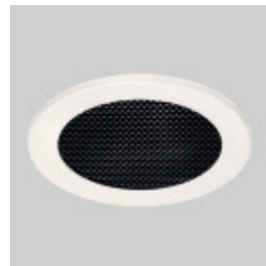


IP65/009/195
White IP65 bezel
Clear polycarbonate

PV - PRODUCT VARIATIONS



PV - Contact Sales
Any RAL colour
twist & lock / IP65 bezel



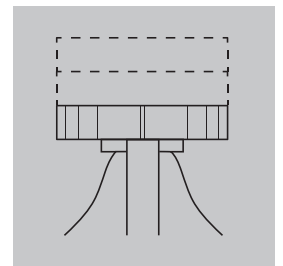
PV - Contact Sales
Honeycomb baffle



PV - Contact Sales
Choice of connectors



PV - Contact Sales
LSOH / LSF cable



PV - Contact Sales
High ambient
temperatures

RELATED PRODUCTS



See 78 & 96 Series
130mm downlights



See 100 Series
240mm downlights



See 36, 37 & 39 Series
IP54 downlights



See 87 Series
Surface / suspended
downlights



GF008 / GF010
Anti-tamper driver
Anti-tamper bit

Please note: Specification values may change due to rapid development of lighting technology. All performance data is taken at an ambient temperature of +25°C. Data may be rounded up/down for illustrative purposes. We reserve the right to amend or change details without prior notification. E&OE.