

# 33 Series Datasheet

LUMENLOOP

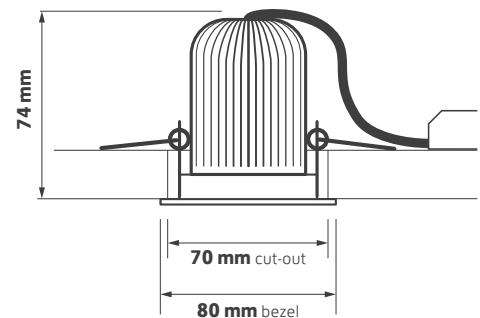


ø80 mm

## Key Features

- ▶ Professional, minimal LED Downlight
- ▶ Die-cast low profile bezel, white RAL9003
- ▶ Life >50,000 hours L70/F50
- ▶ Injection moulded 36° faceted reflector
- ▶ High efficacy, low glare
- ▶ No visible flicker (IEEE PAR1789 2015)
- ▶ Dimming, DALI and emergency options
- ▶ 5 year warranty

## Technical Drawing



DC

Declaration of Conformity available

## Ordering Information

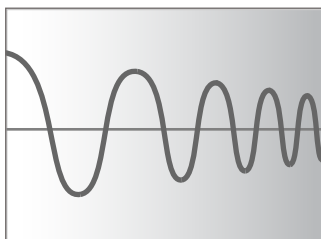
Output lm	Power tcW	Colour	Model Ref.
750	8	830	<b>33.001</b>
775	8	840	<b>33.002</b>

## Options

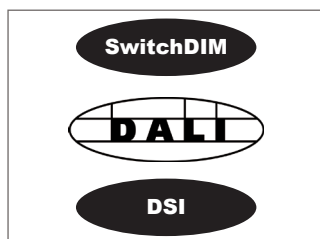
Please select from the options below.

Phase-cut mains dimming	<b>/MDIM</b>
SwitchDIM, DALI or DSI	<b>/ECO</b>
Casambi wireless network (inc dim)	<b>/BTC</b>
3 hour emergency conversion	<b>/EM</b>
3 hour self-test and DALI emergency conversion	<b>/EMD</b>

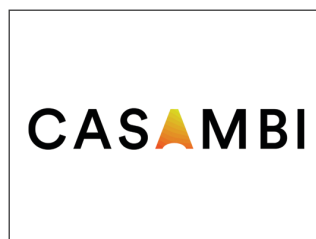
## Options



**/MDIM**  
Phase-cut mains dimming



**/ECO**  
SwitchDIM, DALI or DSI



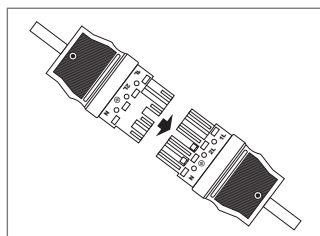
**/BTC**  
Casambi wireless network  
(inc dim)



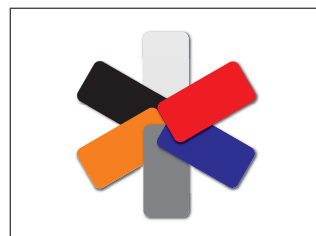
**/EM**  
3 hour emergency conversion



**/EMD**  
3 hour self-test and DALI emergency  
conversion



**Product variations**  
Plug and Sockets



**Product variations**  
Any RAL colour