

32 Series Datasheet

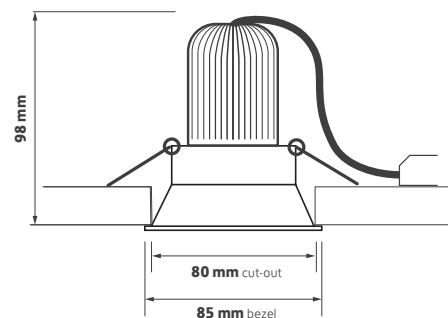
LUMENLOOP



Key Features

- ▶ Professional, deep adjustable LED Downlight
- ▶ Minimal die-cast low profile bezel, white RAL9003
- ▶ Life >50,000 hours L70/F50
- ▶ Injection moulded 36° faceted reflector
- ▶ High efficacy, low glare
- ▶ No visible flicker (IEEE PAR1789 2015)
- ▶ Dimming, DALI and emergency options
- ▶ 5 year warranty

Technical Drawing



Declaration of Conformity available

Ordering Information

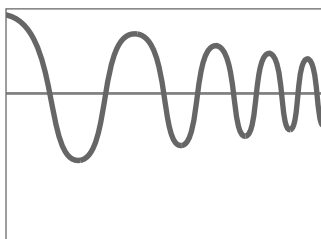
Output lm	Power tcW	Colour	Model Ref.
750	8	830	32.001
775	8	840	32.002

Options

Please select from the options below.

Phase-cut mains dimming	/MDIM
SwitchDIM, DALI or DSI	/ECO
Casambi wireless network (inc dim)	/BTC
3 hour emergency conversion	/EM
3 hour self-test and DALI emergency conversion	/EMD

Options



/MDIM
Phase-cut mains dimming



/ECO
SwitchDIM, DALI or DSI



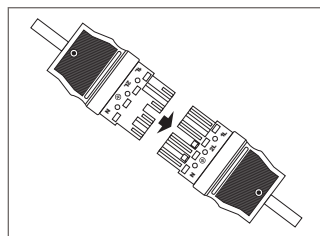
/BTC
Casambi wireless network
(inc dim)



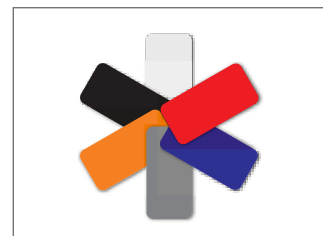
/EM
3 hour emergency conversion



/EMD
3 hour self-test and DALI emergency
conversion



Product variations
Plug and Sockets



Product variations
Any RAL colour