

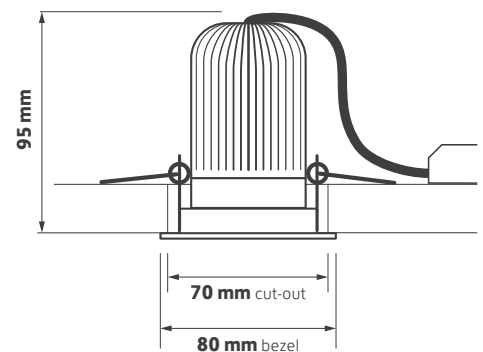
31 Series Datasheet



Key Features

- ▶ Professional, low glare LED Downlight
- ▶ Die-cast bezel and injection moulded baffle
- ▶ Life >50,000 hours L70/F50
- ▶ Injection moulded 36° faceted reflector
- ▶ No visible flicker (IEEE PAR1789 2015)
- ▶ Dimming, DALI and emergency options
- ▶ 5 year warranty

Technical Drawing



DC

Declaration of Conformity available

Ordering Information

| Output lm | Power tcW | Colour | Model Ref. |
|--------------|--------------|--------|---------------|
| 750 | 8 | 830 | 31.001 |
| 775 | 8 | 840 | 31.002 |

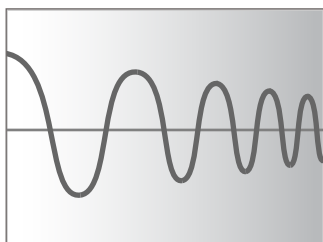
Options

Please select from the options below.

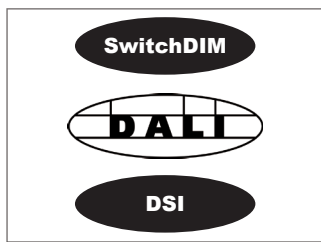
| | |
|--|--------------|
| Phase-cut mains dimming | /MDIM |
| SwitchDIM, DALI or DSI | /ECO |
| Casambi wireless network (inc dim) | /BTC |
| 3 hour emergency conversion | /EM |
| 3 hour self-test and DALI emergency conversion | /EMD |

31 Series Datasheet

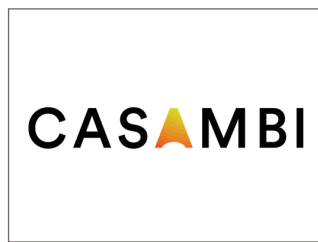
Options



/MDIM
Phase-cut mains dimming



/ECO
SwitchDIM, DALI or DSI



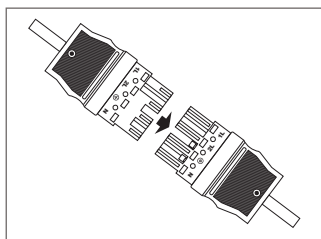
/BTC
Casambi wireless network
(inc dim)



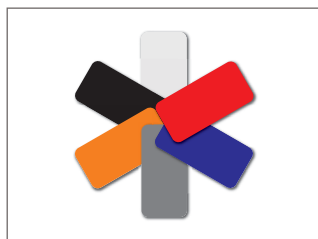
/EM
3 hour emergency conversion



/EMD
3 hour self-test and DALI emergency conversion



Product variations
Plug and Sockets



Product variations
Any RAL colour