

# INSTALLATION GUIDE:

LED DOWNLIGHT  
990.0386.01



## IMPORTANT:

The luminaire must not be covered by any debris or insulating material. Ensure there is a minimum of 50 mm airspace around the control gear. Electrical termination must be carried out by a qualified electrician in accordance with the latest edition of IEE wiring regulations BS 7671.

**NOTE: THE LED MODULES IN THIS LUMINAIRE ARE NON-USER REPLACEABLE.**





**PLEASE RETAIN THIS GUIDE FOR FUTURE REFERENCE AND RECYCLE PACKAGING.**

### A



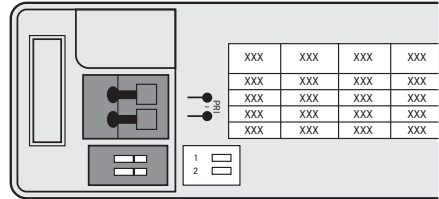
#### ISOLATE MAINS SUPPLY BEFORE COMMENCING INSTALLATION

- Referring to the chart below, cut the appropriate size hole at the desired location using a hole saw.

	Bezel size	Cut-out size
	ø70 mm	ø60 mm
	ø80 mm	ø70 mm
	ø85 mm	ø80 mm
	80 x 80 mm	ø70 mm

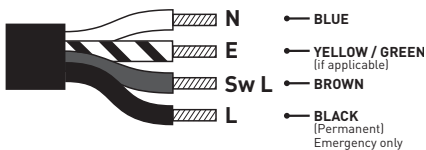
### B

- Certain product variants may be supplied with an LED driver featuring an adjustable output via DIP switches under the terminal covers.
- Any adjustment must be made before the luminaire is connected to the mains supply.
- Please refer to the diagram printed on the driver cover for the relevant settings.

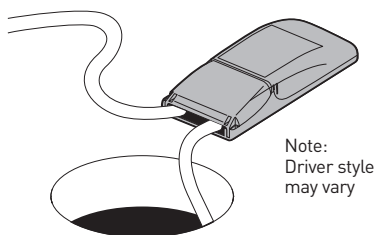


### C

- Connect the driver to the mains supply in accordance with the latest wiring regulations **BS 7671**.
- For ECO dimming wiring see installation guide **990.0009.01**.

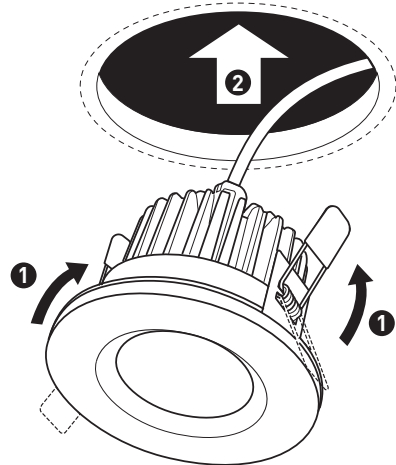


- Feed the driver into the ceiling void ensuring it is not covered by any debris or insulating material and is correctly positioned. Driver may vary according to specification.



### D

- 1 Push back ceiling springs.
- 2 Install luminaire.



Note: Luminaire style may vary



**REINSTATE MAINS SUPPLY**