

# 188 Series Datasheet

TRIDONIC  
TECHNOLOGY  
INSIDE

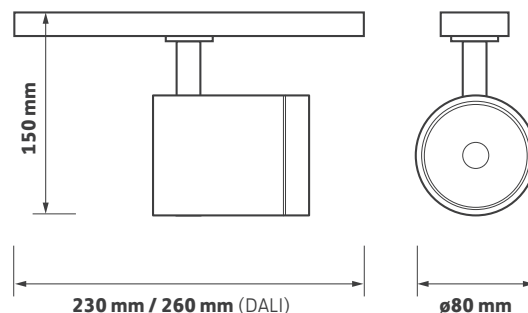
LUMEN LOOP



## Key Features

- ▶ A contemporary track spotlight with discreet in-track gear housing
- ▶ Swivel and tilt adjustment for added flexibility
- ▶ High colour rendering option
- ▶ Medium beam reflector as standard, other beam options available
- ▶ Compatible with 3 circuit Global Trac
- ▶ Short circuit, overload and temperature protection
- ▶ 5 year warranty
- ▶ White as standard, black also available
- ▶ DALI dimming option

## Technical Drawing



## Ordering Information

| Luminaire Output<br>(lm) | Power<br>(tcW) | Colour | Model Ref.     |
|--------------------------|----------------|--------|----------------|
| 1525                     | 15             | 830    | <b>188.001</b> |
| 1575                     | 15             | 840    | <b>188.002</b> |
| 2000                     | 20             | 830    | <b>188.003</b> |
| 2050                     | 20             | 840    | <b>188.004</b> |
| 2425                     | 25             | 830    | <b>188.005</b> |
| 2500                     | 25             | 840    | <b>188.006</b> |
| 2925                     | 31             | 830    | <b>188.007</b> |
| 3000                     | 31             | 840    | <b>188.008</b> |

## Options

Please select from the options below.

|                                     |              |
|-------------------------------------|--------------|
| Black                               | <b>/BK</b>   |
| Narrow beam                         | <b>/NB</b>   |
| Wide beam                           | <b>/WB</b>   |
| High colour rendering Ra>90         | <b>/9</b>    |
| DALI                                | <b>/DALI</b> |
| Casambi wireless network (inc. dim) | <b>/BTC</b>  |

# 188 Series Options and Accessories

LUMENLOOP

## Options



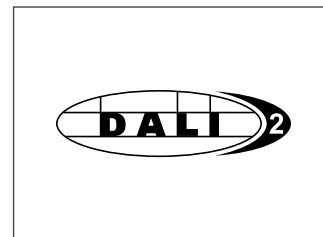
**/NB**  
Narrow beam reflector



**/WB**  
Wide beam reflector



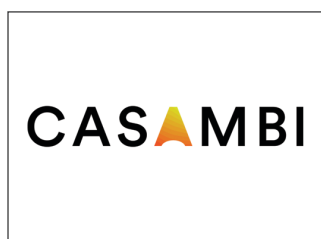
**/9 High colour rendering**  
See technical



**/DALI**  
DALI dimming



**/BK**  
Black



**/BTC**  
Casambi wireless network  
(inc dim)

## Also Available



**Product variations**  
Other colours and specifications  
available on request



**Vertical gear housing**  
See 150 Series



**Horizontal gear housing**  
See 151 Series



**Track**  
See Stucchi ONETRACK