

INSTALLATION GUIDE:

MODULAR
990.0379.01



IMPORTANT:

The luminaire must not be covered by any debris or insulating material. Ensure there is a minimum of 50 mm airspace around the luminaire and control gear. Electrical termination must be carried out by a qualified electrician in accordance with the latest edition of IEE wiring regulations BS7671.

NOTE: THE LED MODULES IN THIS LUMINAIRE ARE NON-USERS REPLACEABLE.

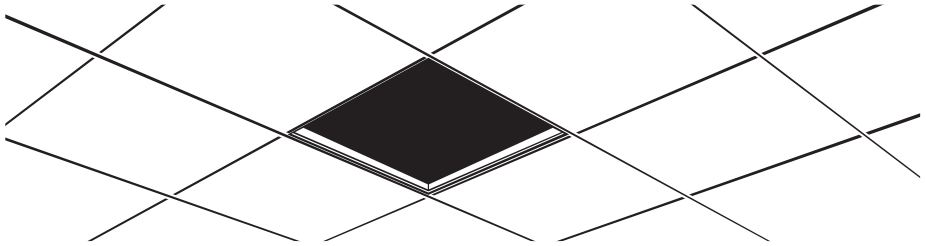
PLEASE RETAIN THIS GUIDE FOR FUTURE REFERENCE AND RECYCLE PACKAGING.

A



ISOLATE MAINS SUPPLY BEFORE COMMENCING INSTALLATION

PLEASE NOTE LUMINAIRE STYLE MAY VARY.



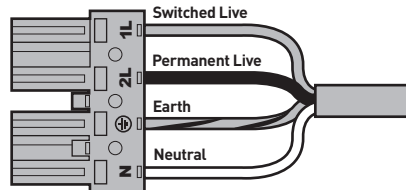
IMPORTANT: Check ceiling grid has sufficient load-bearing capabilities to support the luminaire.

- Remove ceiling tile in desired location.

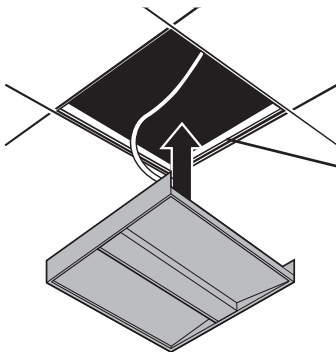
B

- Unscrew the terminal cover on the driver / connector.
- Observe the terminal markings on the driver / connector.
- Connect mains supply to appropriate terminals.
- For T+DALI dimming, see separate installation guides.
- Secure cover / cable grip.

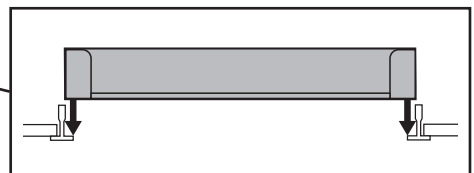
Emergency



C



- Insert luminaire into the ceiling void and lower into place on the lip of the ceiling grid ensuring it's secure.



REINSTATE MAINS SUPPLY