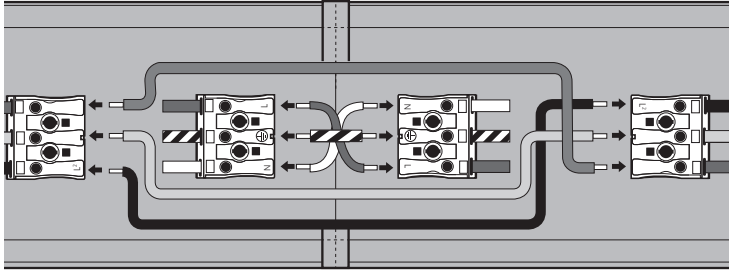


**K**

- Use supplied mains wires to link terminal blocks at each side of the luminaire ensuring polarity is maintained.



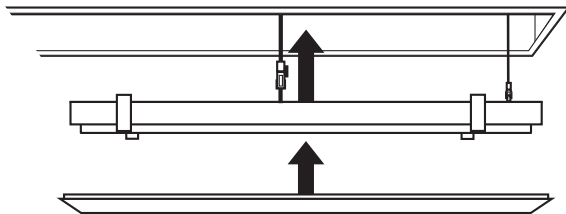
**INTERNAL WIRING 1.5 mm<sup>2</sup> CSA. DO NOT EXCEED CURRENT LIMITS.**

**L**

- Repeat steps **B** to **K** until run is complete.
- Use a section with an end cap fitted to finish the run.
- Tighten all ceiling fixings.

**M**

- For each luminaire in turn, offer up the LED tray and reconnect the driver connectors and the earth spade.
- Push the LED tray into the body ensuring the clips are correctly aligned and secure and no wires are trapped.
- Push the diffusers back into the luminaire until secure.



- To prevent light spill gaps on longer runs, an additional length of diffuser is supplied with the end sections.
- If required, fit before the final diffuser, which should be trimmed using appropriate cutting equipment before fitting.



**REINSTATE MAINS SUPPLY**

We reserve the right to amend any product specification without prior notice. Any alterations made to the luminaire may affect life and light output and invalidate any warranty. Luminaire complies with all safety standards set out in BS EN 60598.

## INSTALLATION GUIDE:

EXTRUDED DIRECT LINEAR  
RECESSED CONTINUOUS  
990.0378.01



**IMPORTANT:**  
Electrical termination must be carried out by a qualified electrician in accordance with the latest edition of IEE wiring regulations BS7671.

Ensure the mounting surface is capable of supporting the weight of the luminaire

Please retain this guide for future reference and recycle packaging.

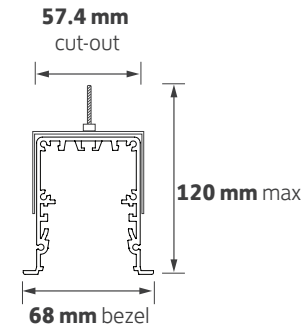
**A**

**ISOLATE MAINS SUPPLY BEFORE COMMENCING INSTALLATION**

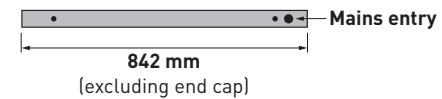
**IMPORTANT: DO NOT USE POWER TOOLS TO TIGHTEN FIXINGS ON THIS LUMINAIRE**

- Ensure the mounting surface is flat and even.
- Mark out position of the channel on ceiling, depending upon total length of luminaire.
- The run must be started and ended with an end cap.
- Add 12 mm to the channel length to allow for end caps.

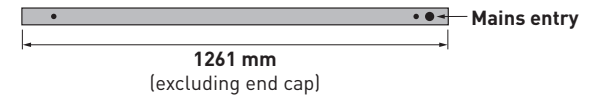
### Cut Out Sizes



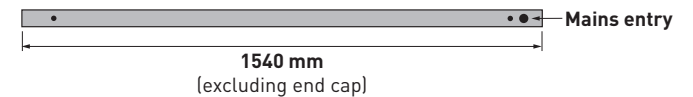
**0.85 m Length 2.5 kg**



**1.2 m Length 3.5 kg**



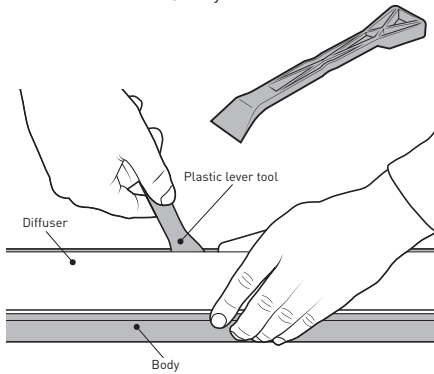
**1.5 m Length 4.3 kg**



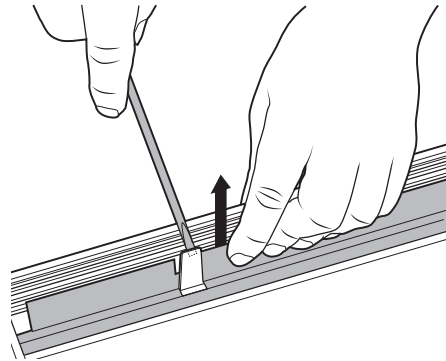
We reserve the right to amend any product specification without prior notice. Any alterations made to the luminaire may affect life and light output and invalidate any warranty. Luminaire complies with all safety standards set out in BS EN 60598.

**B**

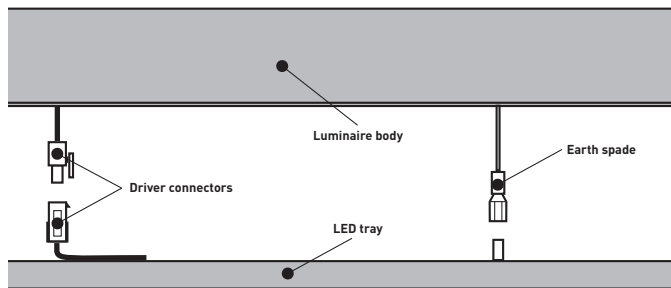
- Prise out the diffuser using a plastic lever tool (not supplied) or card, starting in the centre of the diffuser and working outwards.
- Please note: Do not use metal tools such as screwdrivers to do this as they may damage the diffuser / body.

**C**

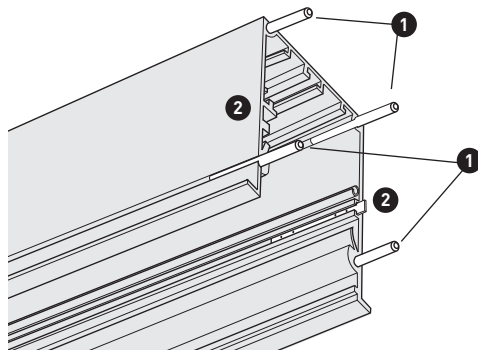
- Using a terminal driver, ease out the LED tray retaining clips, whilst pulling the tray up, one at a time and remove the LED tray as shown.
- Slide tray to one end and remove from extrusion.

**D**

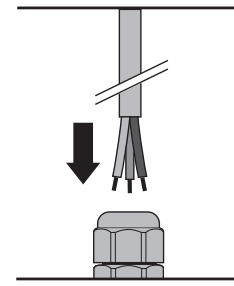
- Disconnect the driver connectors and the earth spade to release the LED tray.

**E**

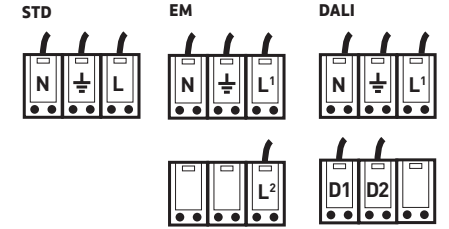
- Tap 4 x joint pins **1** into extrusion in the positions shown until the knurled section is below the end face.
- Slide 2 x fixing bars **2** into the extrusion in the positions shown. Do not tighten.



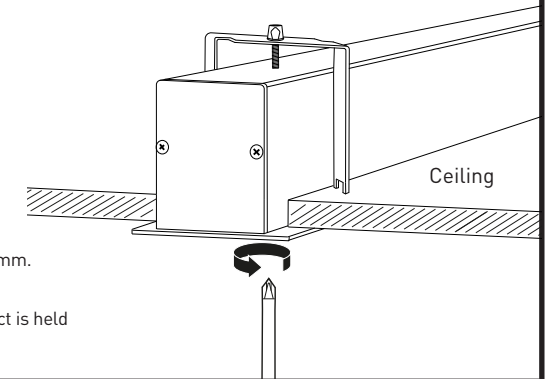
**PLEASE NOTE -  
DO NOT USE JOINT PINS IN THE  
SECOND TO LAST LUMINAIRE IN  
THE RUN**

**F**

- Feed the mains cable through the cable gland

**G**

- Connect mains supply to terminal block.
- For switch dim link D2 to N, connect D1 to mains supply via a push to make retractive switch.
- Secure cable gland

**H**

- Undo twist bracket to ceiling thickness +5 mm.
- Offer product up into ceiling cut-out.
- Tighten ceiling retainer screws until product is held securely.

**I**

- Repeat steps **B** to **E** for second luminaire.
- Slide second luminaire onto previous section.
- Attach second luminaire to ceiling - Do not fully tighten.

**J**

- Slide fixing bars across joint.
- Push luminaires firmly together and tighten grubscrews with hex key (supplied).

