

182 Series Datasheet

TRIDONIC
TECHNOLOGY
INSIDE

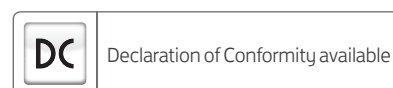
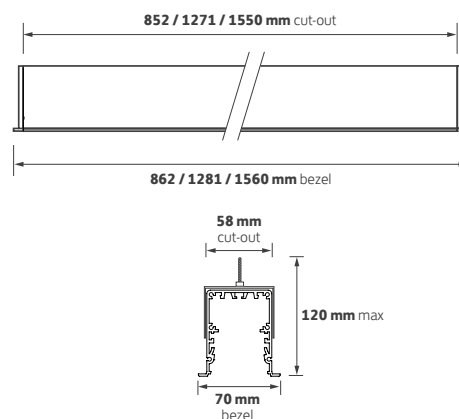
LUMEN LOOP



Key Features

- ▶ Recessed, extruded linear profile luminaire
- ▶ Tridonic LED and driver combinations
- ▶ TP(a) elegant opal lens for general areas as standard
- ▶ Low glare prismatic lens option for LG7 compliance
- ▶ Lumen depreciation L80/F10 @ >72,000 hours
- ▶ ECA compliant efficacies of up to 127 l/m / tcW
- ▶ Available in 3 standard 'solo' lengths
- ▶ Manufactured, tested and validated in the U.K.

Technical Drawing



Ordering Information

Length	Colour	Luminaire output (l/m)	Intermediate Model Ref.	Luminaire output (l/m)	Luminaire output (l/m)
		Std		/LO	/HO
850 mm	830	1725	182.001	1175	2725
850 mm	840	1825	182.002	1225	2875
1.2 m	830	2575	182.003	1750	4100
1.2 m	840	2725	182.004	1850	4300
1.5 m	830	3150	182.005	2150	5000
1.5 m	840	3325	182.006	2250	5250

Options

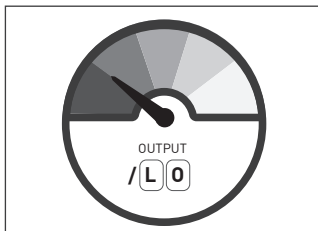
Please select from the options below.

Lower output	/LO
Higher output	/HO
Low glare prismatic lens for LG7 compliance	/LG
SwitchDIM, DALI or DSI	/ECO
EM conversion (not 182.001 / 182.002)	/EMI

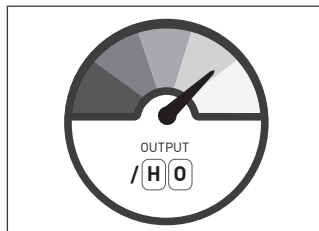
182 Series Options and Accessories

LUMENLOOP

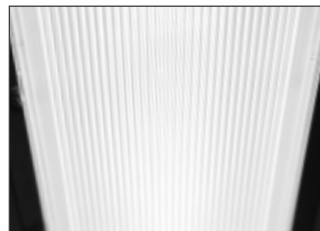
Options



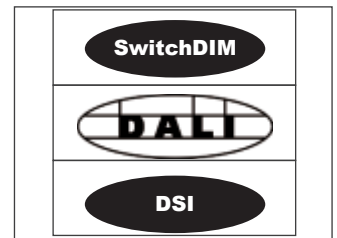
/LO
Lower output



/HO
Higher output



/LG
Low glare prismatic lens



/ECO
SwitchDIM, DALI or DSI



/EMI
EM conversion (not 182.001 / 182.002)



PT001
Lens removal tool