

# INSTALLATION GUIDE:

150mm Surface Can  
990.0370.01



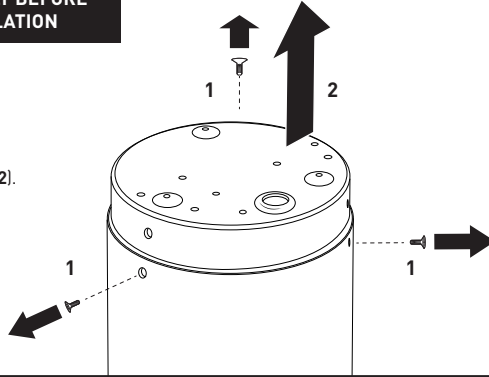
## IMPORTANT:

Electrical termination must be carried out by a qualified electrician in accordance with the latest edition of IEE wiring regulations BS7671.

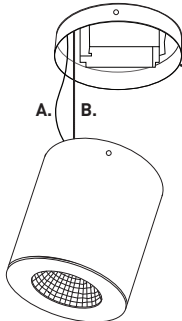
PLEASE RETAIN THIS GUIDE FOR FUTURE REFERENCE AND RECYCLE PACKAGING.

### A ISOLATE MAINS SUPPLY BEFORE COMMENCING INSTALLATION

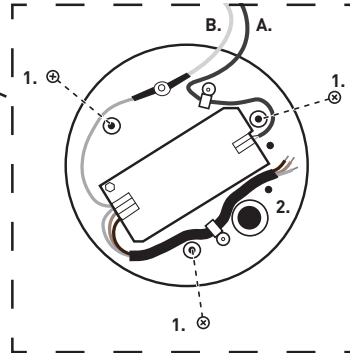
- Unscrew and remove the three screws around the fitting as indicated (1).
- Carefully remove gear tray from body (2).



### B

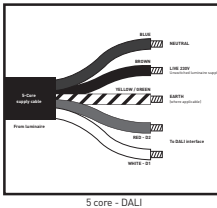


- Main body is attached to the gear tray by the driver cable (A) and safety tether (B)

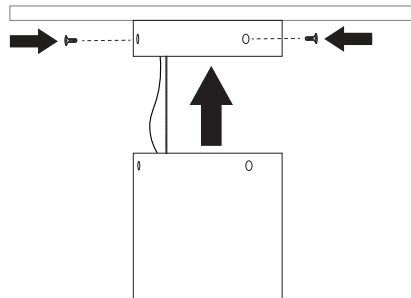


- Position the gear tray in desired location and mark mounting points (1).
- Remove gear tray from ceiling and drill mounting holes for suitable fixings (not supplied).
- Feed mains supply cable through hole on gear tray (2).
- Replace gear tray on mounting surface and fix to ceiling securely using suitable fixings (not supplied).

### C



- Connect mains supply cable to ferruled ends using suitable connector (not supplied).
- Cable may vary depending on driver version.
  - 2 core - F.O.D.
  - 3 core - Standard
  - 5 core - DALI (left)
- Lift body to gear tray and secure using three screws (right)



REINSTATE MAINS SUPPLY