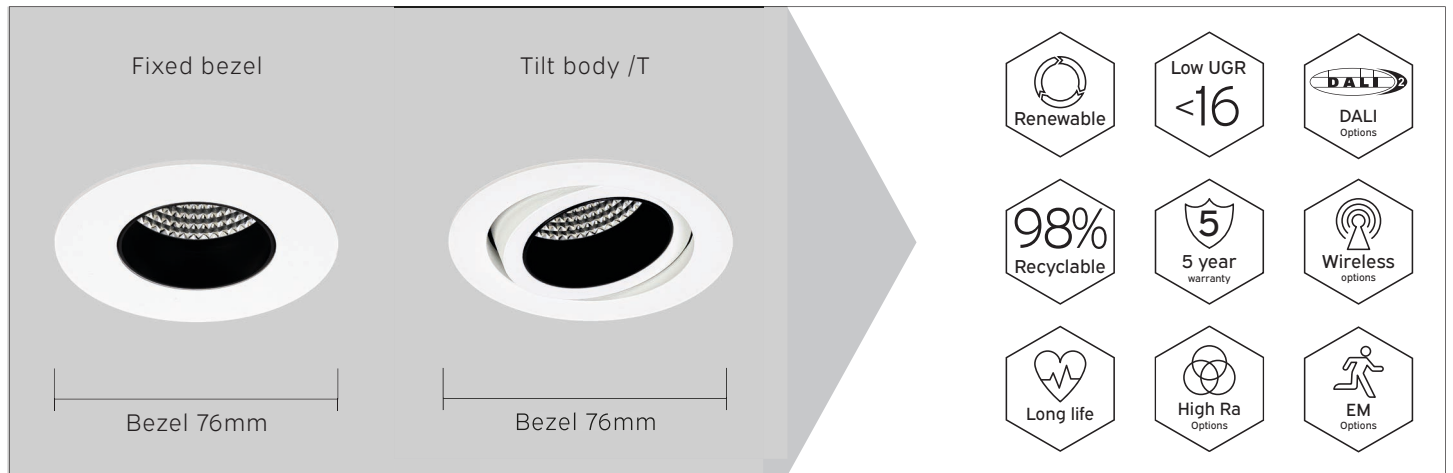


175 Series

Data Sheet



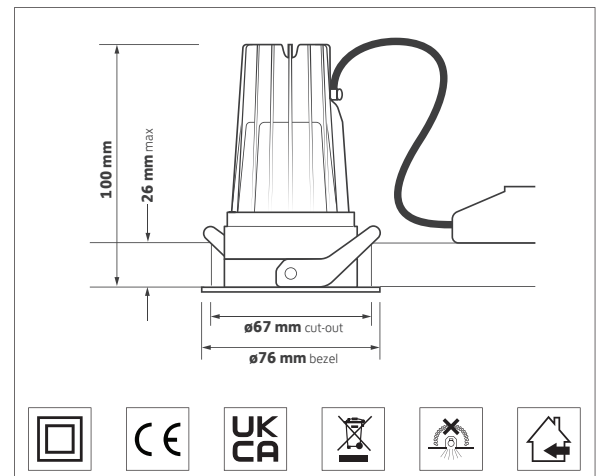
LUMENLOOP



KEY FEATURES

- Miniature architectural LED downlight
- Features low glare matt black baffle as standard
- Tridonic SLE Advanced LED light engine
- Multi-facet 40° injection moulded reflector
- Lumen maintenance L80/B10 @ >55,000 h
- 3 step MacAdam ellipse (SDCM)
- Die-cast bezel finished in white RAL 9016
- DALI, wireless and emergency options
- 5 year warranty

DIMENSIONS



ORDERING INFORMATION

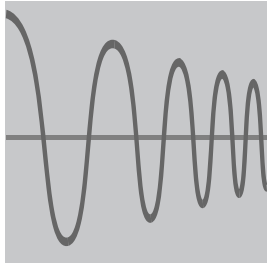
Engine output (lm)	Colour temp	Luminaire power (tcW)	Light source efficacy (lm/W)	Engine efficacy (lm/tcW)	Model ref.
550	927	7.5	139	69	175.001
575	830	6.0	177	87	175.002
600	840	6.0	188	92	175.003
725	927	9.5	134	74	175.004
750	830	7.5	174	95	175.005
775	840	7.5	180	98	175.006

OPTIONS

Options	Suffix
Control gear	/MDIM, /ECO, /BTC
Emergency - Remote indicator	/EM, /EMD, /EMM
Body type	/T, /BL, /BLT
Baffle colour	/WSB, /GB
Reflector narrow beam	/NB
High colour rendering	/9
Accessory	/HC, /54

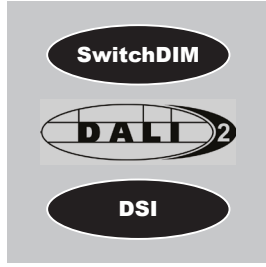
175 Series

Options & accessories



/MDIM

Phase-cut mains dimming



/ECO

SwitchDIM / DALI / DSI



/BTC

Casambi wireless network inc. dimming



/EM

Emergency Remote indicator



/EMD

DALI / Self test EM Remote indicator



/EMM

Wireless mesh EM Remote indicator



/T

Tilt



/BL

Black RAL 9005



/BLT

Tilt
Black RAL 9005



/WSB

White softlight baffle



/GB

Gold baffle



/NB

24° lens



/R9

High colour rendering LED module



/HC

Honeycomb louvre



/54

IP54 ribbed glass

175 Series

Options & accessories



RELATED PRODUCTS



See 170 Series
Tridonic SLE



See 171 Series
Tridonic SLA

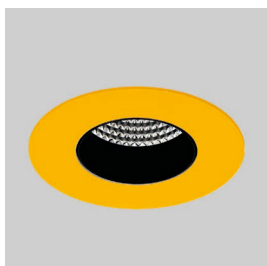


See 172 Series
Tridonic SLA

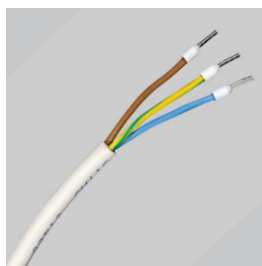
PV - PRODUCT VARIATIONS



PV - Contact Sales
Choice of connectors



PV - Contact Sales
Any RAL colour bezel



PV - Contact Sales
LSOH / LSF cable