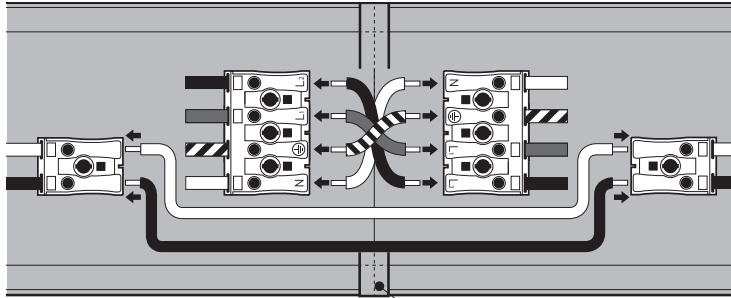


K

- Use supplied mains wires to link terminal blocks at each side of the luminaire ensuring polarity is maintained.
- Cover all middle joins on the inner side of the luminaire with light leakage tape (supplied).



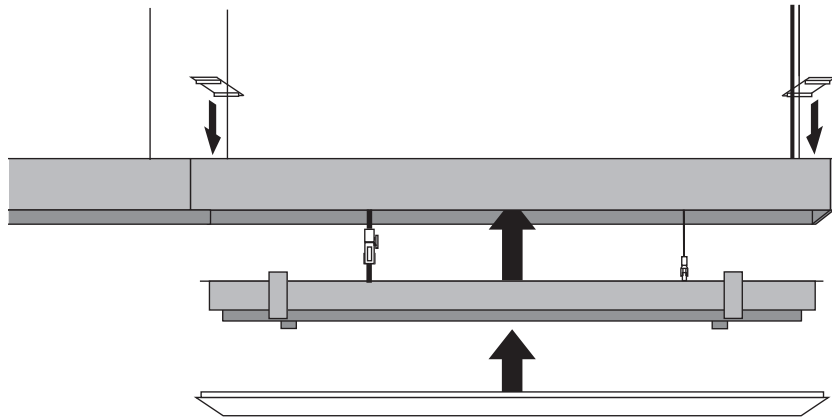
Light leakage tape

**INTERNAL WIRING 1.5 mm² CSA. DO NOT EXCEED CURRENT LIMITS.****L**

- Repeat steps **A** to **K** until run is complete.
- Use a section with an end cap fitted to finish the run.
- Fit blanking bungs into unused cable entry holes on the back of each section.

M

- For each luminaire in turn, offer up the LED tray and reconnect the driver connectors and the earth spade.
- Push the LED tray into the body ensuring the clips are correctly aligned and secure and no wires are trapped.
- Push the diffusers back into the luminaire until secure.



- To prevent light spill gaps on longer runs, an additional length of diffuser is supplied with the end sections.
- If required, fit before the final diffuser, which should be trimmed using appropriate cutting equipment before fitting.

**REINSTATE MAINS SUPPLY**

We reserve the right to amend any product specification without prior notice. Any alterations made to the luminaire may affect life and light output and invalidate any warranty. Luminaire complies with all safety standards set out in BS EN 60598. REV 1 29/11/2022

INSTALLATION GUIDE:

EXTRUDED DIRECT / INDIRECT LINEAR
SUSPENDED CONTINUOUS
990.0363.01

IMPORTANT:

This product contains a light source of energy class C. Refer to product technical datasheet for further information.

The light source contained in this luminaire shall only be replaced by the manufacturer, their service agent or a similarly qualified person.

The luminaire has an ingress protection rating of IP20.

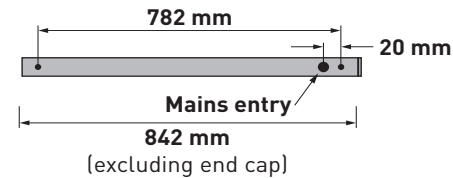
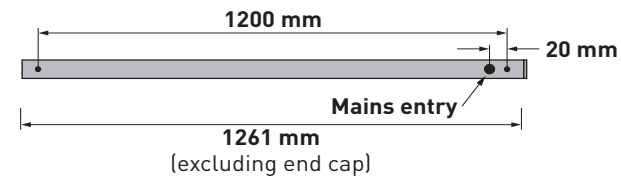
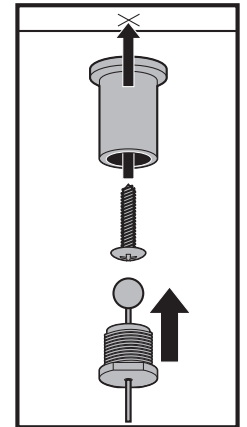
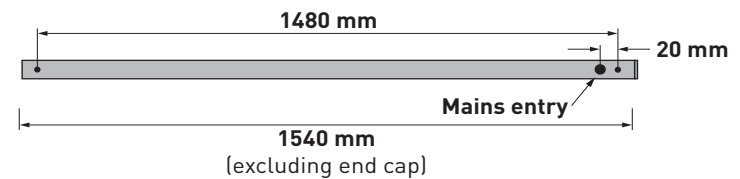
Ensure the mounting surface is capable of supporting the weight of the luminaire before commencing installation.



Please retain this guide for future reference and recycle packaging.

A**ISOLATE MAINS SUPPLY BEFORE COMMENCING INSTALLATION****IMPORTANT: DO NOT USE POWER TOOLS TO TIGHTEN FIXINGS ON THIS LUMINAIRE**

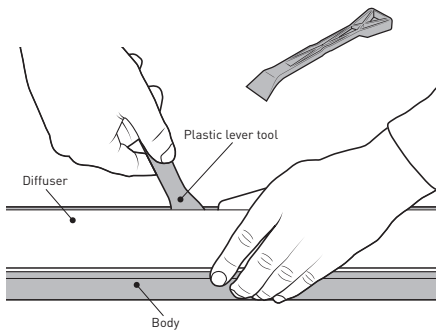
- Mark out positions of fixing points on ceiling, depending upon length of fitting.
- Attach the ceiling cup assemblies to the ceiling using suitable fixings (not supplied).
- The run must be started and ended with a luminaire with an end cap.

0.85 m Length **3.5 kg****1.2 m Length** **5.5 kg****1.5 m Length** **6.5 kg**

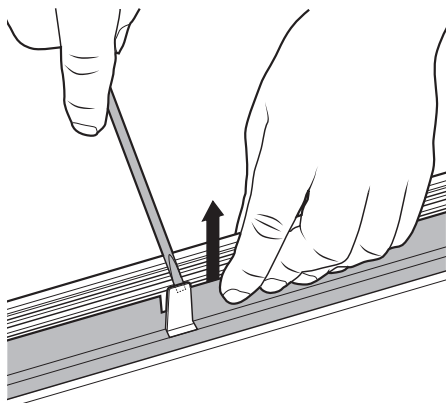
We reserve the right to amend any product specification without prior notice. Any alterations made to the luminaire may affect life and light output and invalidate any warranty. Luminaire complies with all safety standards set out in BS EN 60598. REV 1 29/11/2022

B

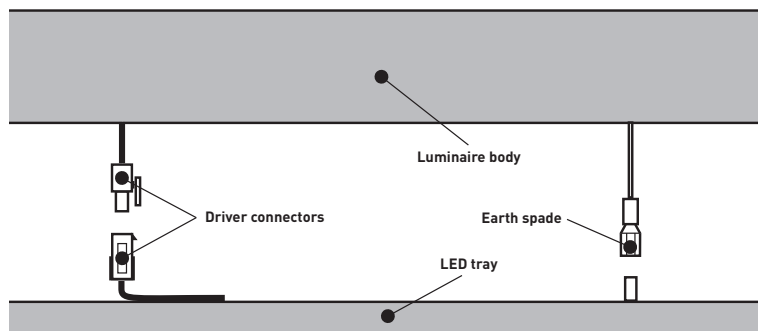
- Prise out the downlight diffuser using a plastic lever tool (not supplied) or card, starting in the centre of the diffuser and working outwards.
- Please note: Do not use metal tools such as screwdrivers to do this as they may damage the diffuser / body.

**C**

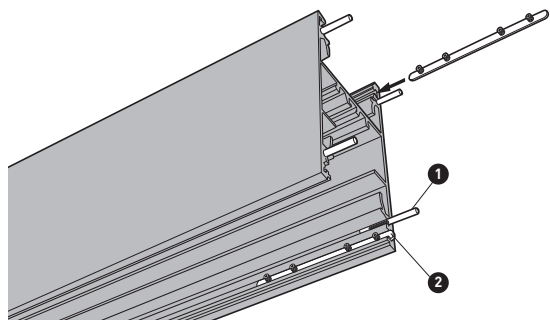
- Using a terminal driver, ease out the downlight LED tray retaining clips, whilst pulling the tray up, one at a time and remove the downlight LED tray as shown.

**D**

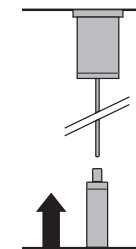
- Disconnect the driver connectors and the earth spade to release the downlight LED tray.

**E**

- Tap 4 x joint pins **1** into extrusion in the positions shown until the knurled section is below the end face.
- Slide 4 x fixing bars **2** into the extrusion in the positions shown. Do not tighten.

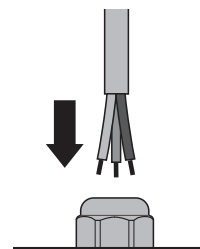
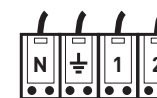
**F**

- Remove uplight diffuser end pieces.
- Thread suspension cables into suspension clutches whilst raising luminaire to desired height.
- Make sure luminaire is level.
- Trim excess suspension cable.

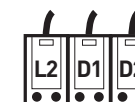
**G**

IMPORTANT: Electrical termination must be carried out by a qualified electrician in accordance with the latest edition of IEE wiring regulations BS7671.

- At start of run, feed the mains cable through the cable gland and secure
- Connect mains supply to terminal block.
- For switch dim, link D2 to N and connect D1 to mains supply via a push to make retractive switch.

**STANDARD / EMERGENCY**

N - NEUTRAL
 ⚡ - EARTH
 1 - SWITCHED LIVE
 2 - PERMANENT LIVE

DIMMING

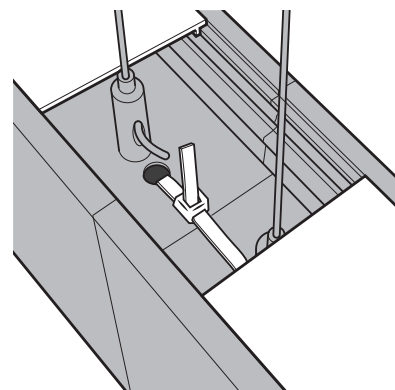
L2 - PERMANENT LIVE*
 D1 - DALI +
 D2 - DALI -

H

- Repeat steps **A** to **E** for second luminaire.
- Slide second luminaire onto previous section.
- Repeat step **F** for second luminaire.

I

- Secure the two sections tightly together by using the tie wrap (supplied) as shown.

**J**

- Slide fixing bars across joint.
- Push luminaires firmly together and tighten grub screws with hex key (supplied).

