

171 Series

Data Sheet



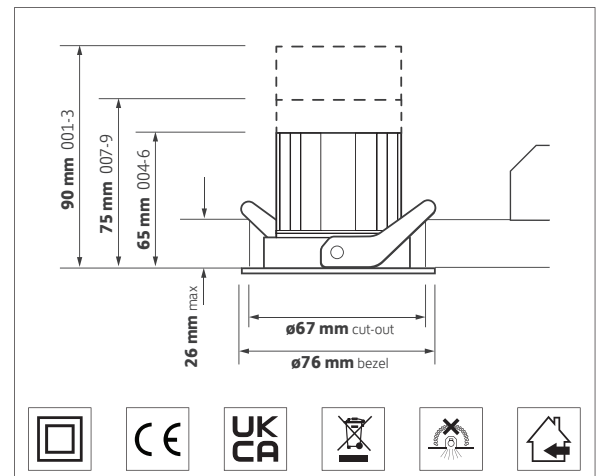
LUMENLOOP



KEY FEATURES

- Miniature architectural LED downlight
- Tridonic SLA Essence LED light engine
- 36° LED lens as standard
- Lumen maintenance L70/B50 @ >50,000 h
- 3 step MacAdam ellipse (SDCM)
- Die-cast bezel finished in white RAL 9016
- DALI, wireless and emergency options
- 5 year warranty

DIMENSIONS



ORDERING INFORMATION

Luminaire output (lm)	Colour temp	Luminaire power (tcW)	Light source efficacy (lm/W)	Luminaire efficacy (lm/tcW)	Model ref.
Mains dimmable driver on board - DOB					
725	927	9.5	76	76	171.001
775	930	9.5	82	82	171.002
825	940	9.5	87	87	171.003
SLA LED engine and driver					
775	927	10.5	91	74	171.004
850	930	10.5	100	81	171.005
900	940	10.5	106	86	171.006
1150	927	14.0	96	82	171.007
1175	930	14.0	98	84	171.008
1275	940	14.0	106	91	171.009

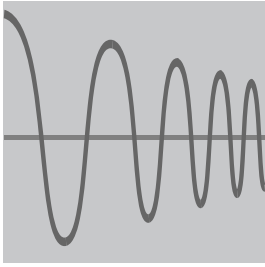
OPTIONS

Options	Suffix
Control gear*	/MDIM, /ECO, /BTC
Emergency - Remote indicator*	/EM, /EMD, /EMM
Body type	/T, /BL, /BLT
Lens narrow beam options	/SNB, /NB
Accessory	/HC

* Control gear and EM options not available with **171.001 / 2 / 3**

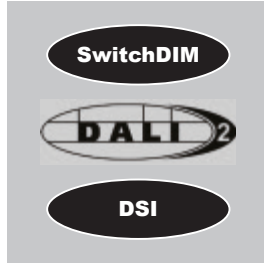
171 Series

Options & accessories



/MDIM

Phase-cut mains dimming*



/ECO

SwitchDIM / DALI / DSI*



/BTC

Casambi wireless network inc. dimming*



/EM

Emergency Remote indicator*



/EMD

DALI / Self test EM Remote indicator*



/EMM

Wireless mesh EM Remote indicator*



/T

Tilt



/BL

Black RAL 9005



/BLT

Tilt
Black RAL 9005



/SNB

12° lens (not available with 171.004 / 5 / 6)



/NB

24° lens



/HC

Honeycomb louvre

* Control gear and EM options not available with 171.001 / 2 / 3

171 Series

Options & accessories



RELATED PRODUCTS



See 170 Series
Tridonic SLE



See 172 Series
Tridonic SLA



See 175 Series
Tridonic SLE

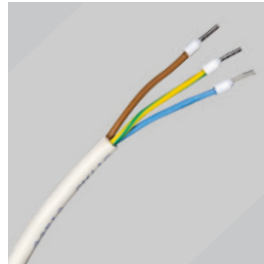
PV - PRODUCT VARIATIONS



PV - Contact Sales
Choice of connectors



PV - Contact Sales
Any RAL colour bezel



PV - Contact Sales
LSOH / LSF cable

* Control gear and EM options not available with **171.001 / 2 / 3**