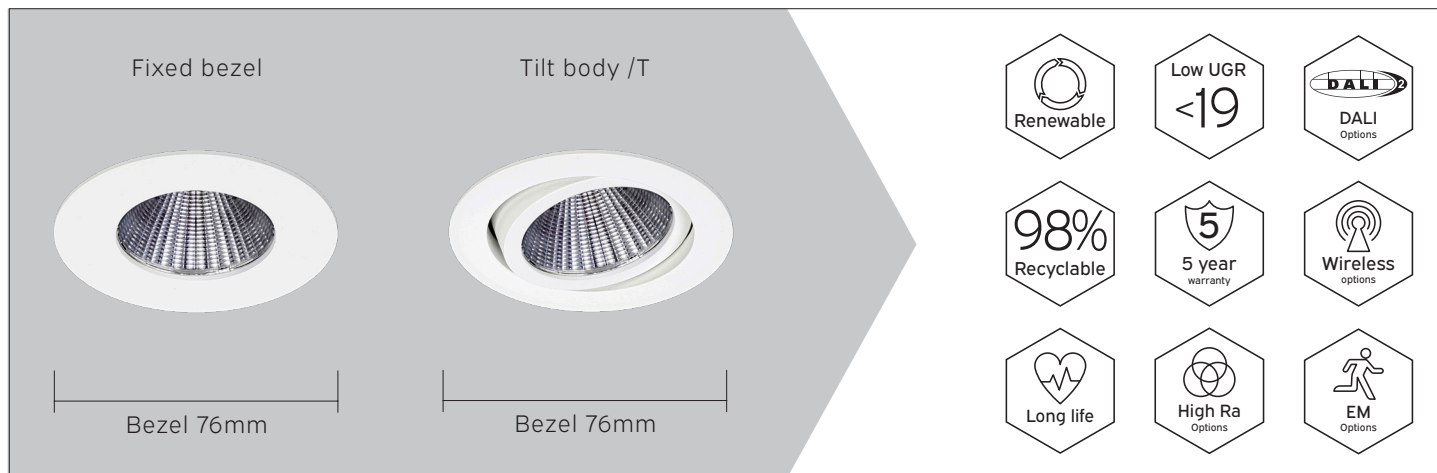


# 170 Series

## Data Sheet



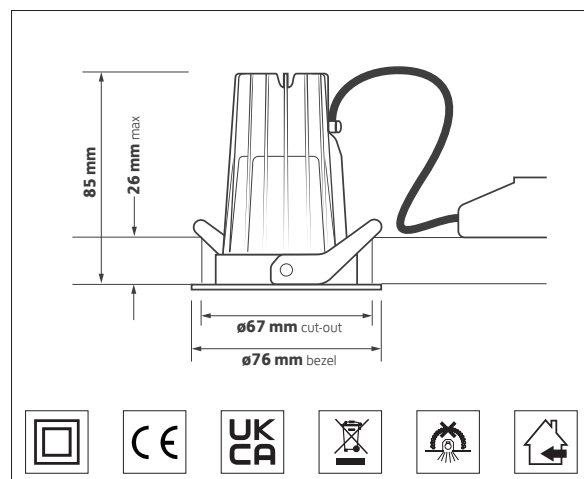
Made in the UK



### KEY FEATURES

- Miniature architectural LED downlight
- Tridonic SLE Advanced LED engine and driver system
- Multi-facet 40° injection moulded reflector
- Lumen maintenance L80/F10 @ >60,000h
- 3 step MacAdam ellipse (SDCM)
- Die-cast bezel finished in white RAL 9016
- DALI, wireless and emergency options
- 5 year warranty

### DIMENSIONS



### ORDERING INFORMATION

Luminaire output (ilm)	Colour temp	Luminaire power (tcW)	Light source efficacy (lm/W)	Luminaire efficacy (llm/tcW)	Model ref.
550	927	7.5	139	75	<b>170.001</b>
575	830	6.0	177	95	<b>170.002</b>
600	840	6.0	188	100	<b>170.003</b>
725	927	9.5	134	75	<b>170.004</b>
750	830	7.5	174	100	<b>170.005</b>
775	840	7.5	180	105	<b>170.006</b>

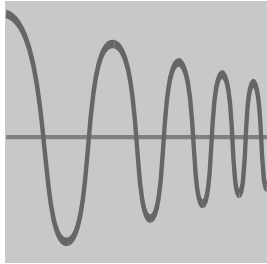
Note: Equivalent 50W Philips halogen lamp = 470 lm

### OPTIONS

Options	Suffix
Control gear	<b>/MDIM, /ECO, /BTC</b>
Emergency - Remote indicator	<b>/EM, /EMD, /EMM</b>
Body type	<b>/T, /BL, /BLT</b>
Reflector narrow beam	<b>/NB</b>
High colour rendering	<b>/9</b>

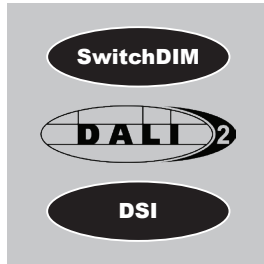
# 170 Series

## Options & accessories



**/MDIM**

Phase-cut mains dimming



**/ECO**

SwitchDIM / DALI / DSI



**/BTC**

Casambi wireless network inc. dimming



**/EM**

Emergency Remote indicator



**/EMD**

DALI / Self test EM Remote indicator



**/EMM**

Wireless mesh EM Remote indicator



**/T**

Tilt



**/BL**

Black RAL 9005



**/BLT**

Tilt  
Black RAL 9005



**/NB**

24° lens



**/R9**

High colour rendering LED module

# 170 Series

## Options & accessories



### RELATED PRODUCTS



**See 171 Series**  
Tridonic SLA

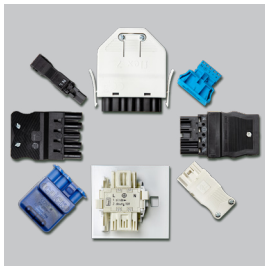


**See 172 Series**  
Tridonic SLA



**See 175 Series**  
Tridonic SLE

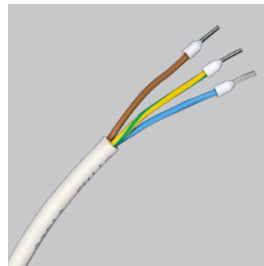
### PV - PRODUCT VARIATIONS



**PV - Contact Sales**  
Choice of connectors



**PV - Contact Sales**  
Any RAL colour bezel



**PV - Contact Sales**  
LSOH / LSF cable