

167 Series

Data Sheet



Made in the UK

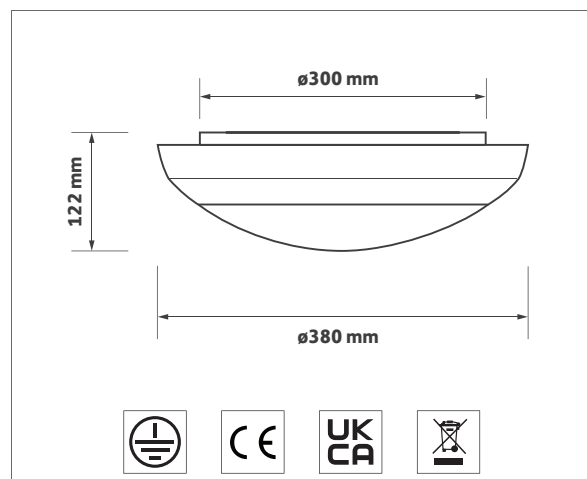
LUMENLOOP



KEY FEATURES

- Contemporary IK10 / IP65 rated LED bulkhead
- High transmission, low spotting TP(a) rated opal diffuser
- Twist & lock bezel to conceal fixings
- UL94 polycarbonate body with back-lit halo effect option
- Tridonic LED and driver system inside
- 3 step MacAdam (SDCM)
- Long life up to 72,000h L80
- DALI, wireless control and emergency options
- Integral microwave presence detector options
- 5 year warranty

DIMENSIONS



ORDERING INFORMATION

Luminaire output (lm)	Colour temp	Luminaire power (tcW)	Light source efficacy (lm/W)	Luminaire efficacy (lm/tcW)	Model ref.
1200	830	10	181	120	167.001
1250	840	10	191	125	167.002
1600	830	14	172	114	167.003
1700	840	14	182	121	167.004
2225	830	21	164	106	167.005
2350	840	21	172	112	167.006

OPTIONS

Options	Suffix
Black bezel	/BL
Back-lit halo effect	/HALO
Anti-tamper diffuser fixing screws	/AT
Control gear *	/ECO, /SO, /SD, /BTC
Emergency - Integral indicator	/EMI, /EMDI
Product variations available	PV.

* /SD and /SO not available with /ECO

167 Series

Options & accessories



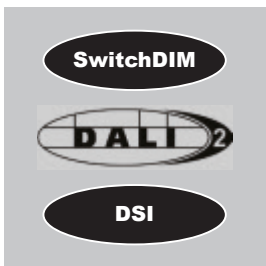
/BL
Black bezel



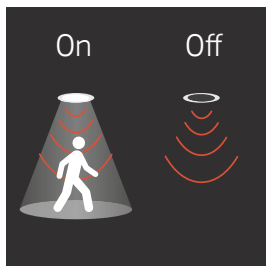
/HALO
Back-lit halo effect



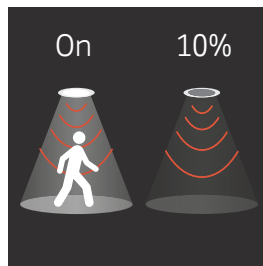
/AT
Anti-tamper diffuser screws



/ECO
SwitchDIM / DALI / DSI



/SO
Integral motion sensor
On / off
(not available with /ECO)



/SD
Integral motion sensor
On / 10% dim
(not available with /ECO)



/BTC
Casambi wireless network inc. dimming



/EMI
Emergency
Integral indicator



/EMDI
DALI emergency
Integral indicator

PV - PRODUCT VARIATIONS



PV - Contact Sales
Grey trim



PV - Contact Sales
Antimicrobial enclosure
- Lifetime protection
against 99.9% of bacteria



PV - Contact Sales
Tridonic EM-Pro and
self-test emergency

167 Series

Options & accessories



LUMENLOOP

RELATED PRODUCTS



See 129 Series
IP65 batten



See 149 Series
85 mm IP65 / FR90
downlight



See 78 & 96 Series
130 mm IP65
downlights



See 62 & 110 Series
195 mm IP65
downlights



See 100 Series
237 mm IP65
downlights



See 165 Series
IP65 linear downlight

Please note: Specification values may change due to rapid development of lighting technology. All performance data is taken at an ambient temperature of +25°C. Data may be rounded up/down for illustrative purposes. We reserve the right to amend or change details without prior notification. E&OE.