

INSTALLATION GUIDE:

LINEAR LED DOWNLIGHT
990.0358.01



IMPORTANT:

The luminaire must not be covered by any debris or insulating material. Ensure there is a minimum of 50 mm airspace around the luminaire and control gear. Electrical termination must be carried out by a qualified electrician in accordance with the latest edition of IEE wiring regulations BS7671.

PLEASE RETAIN THIS GUIDE FOR FUTURE REFERENCE AND RECYCLE PACKAGING.

A



ISOLATE MAINS SUPPLY BEFORE COMMENCING INSTALLATION

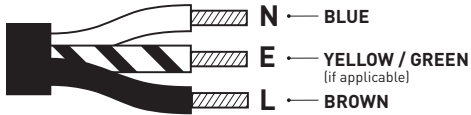
- **5 Optic** - cut a 166 x 41 mm rectangular hole at the desired location.

166 x 41 mm cut out

- **10 Optic** - cut a 323 x 41 mm rectangular hole at the desired location.

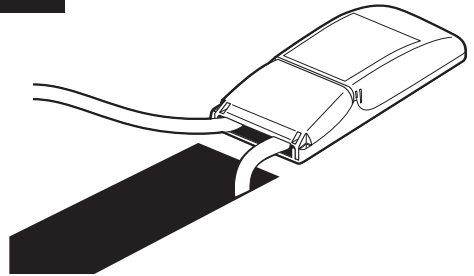
323 x 41 mm cut out

B



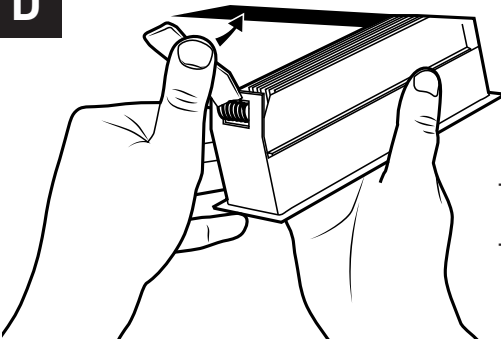
- Connect the luminaire to the mains supply using a terminal block (not supplied) compliant with the requirements of EN60998-2-1 or 2-2.
- For ECO dimming wiring see instruction leaflet **990.0009.01**.

C



- Feed the driver into the ceiling void, ensuring it is not covered by any debris or insulating material and is correctly positioned.

D



- Squeeze ceiling springs and push the luminaire into the ceiling void.
- Once in place make sure the luminaire is secure in ceiling.



REINSTATE MAINS SUPPLY

INSTALLATION GUIDE:

PLASTER-IN LINEAR LED DOWNLIGHT
990.0360.01



IMPORTANT:

The luminaire must not be covered by any debris or insulating material. Ensure there is a minimum of 50 mm airspace around the luminaire and control gear. Electrical termination must be carried out by a qualified electrician in accordance with the latest edition of IEE wiring regulations BS7671.

PLEASE RETAIN THIS GUIDE FOR FUTURE REFERENCE AND RECYCLE PACKAGING.

A ISOLATE MAINS SUPPLY BEFORE COMMENCING INSTALLATION

- Cut a rectangular hole at the desired location.

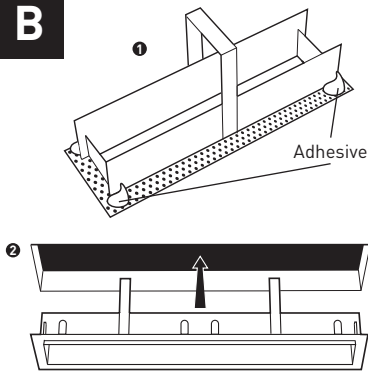
5 Optic

168 x 47 mm cut out

10 Optic

324 x 47 mm cut out

B



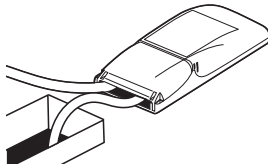
- 1 Apply a bead of quick drying grip adhesive (not supplied) to each corner of the rear face of the frame.
- 2 Locate into hole.
- 3 Secure frame into hole using suitable screws or nails (not supplied).
- 4 Once adhesive has cured, apply PVA bonding coat and plaster up to edge of frame.
- 5 Apply finish to ceiling and allow to dry before proceeding with installation.

C

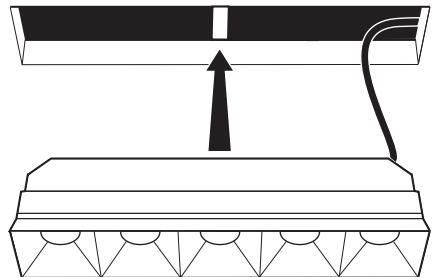
IMPORTANT - Do not install the luminaire before plaster and paint is dry. Doing so may cause chemical degradation of the LED module and will invalidate the warranty.



- Connect the luminaire to the mains supply using a terminal block (not supplied) compliant with the requirements of EN60998-2-1 or 2-2.
- For T+DALI dimming wiring see installation guide **990.0028.01**.
- Push the driver into the ceiling void, ensuring it is not covered by any debris or insulating material and is correctly positioned.



D



- Check the frame is clear of paint and plaster.
- Push the fitting into the frame ensuring it is not covered by any heat insulating material.



REINSTATE MAINS SUPPLY