

INSTALLATION GUIDE:

LED SURFACE MOUNTED FRAMELIGHT
990.0351.01




IMPORTANT:

The luminaire must not be covered by any debris or insulating material.
Electrical termination must be carried out by a qualified electrician in accordance with the latest edition of IEE wiring regulations BS7671.

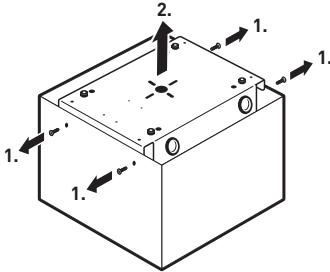
PLEASE RETAIN THIS GUIDE FOR FUTURE REFERENCE AND RECYCLE PACKAGING.

A



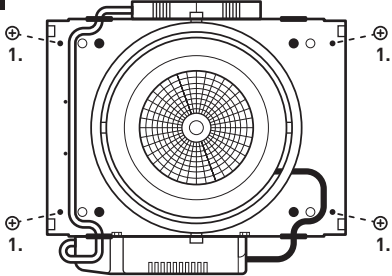
ISOLATE MAINS SUPPLY BEFORE COMMENCING INSTALLATION

PLEASE NOTE APPEARANCE OF PRODUCT MAY VARY



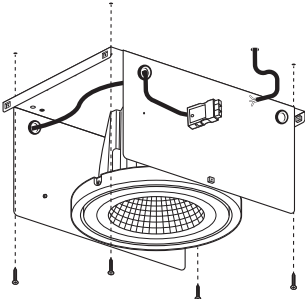
- Unscrew and remove the four screws on each side of the fitting as indicated (1).
- Carefully remove gear tray from body (2).

B



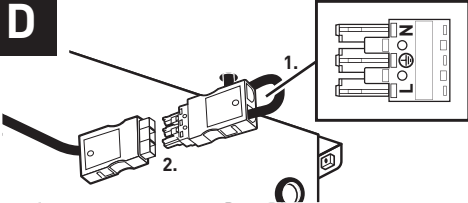
- Position the gear tray in desired location and mark mounting points (1).
- Remove gear tray from ceiling and drill mounting holes for suitable fixings (not supplied).

C



- Replace gear tray on mounting surface and fix to ceiling securely using suitable fixings (not supplied).

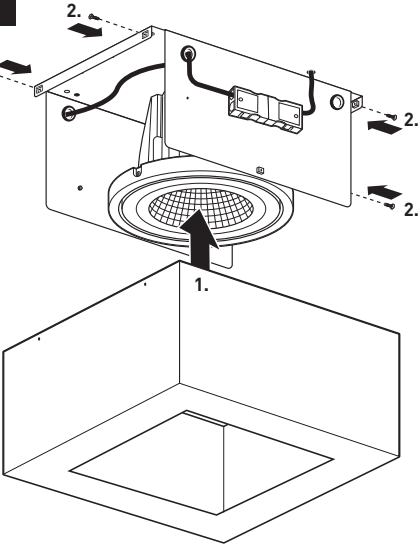
D




- Connect the mains supply to the female plug (supplied) (1), then connect the female plug to the male plug on the luminaire (2).
- For ECO dimming wiring see instruction leaflet 990.0009.01.

COVER MUST BE FITTED TO PLUG

E



- Replace body over gear tray and hold in place (1).
- Re-fit screws on each side of fitting as before until secure (2).



REINSTATE MAINS SUPPLY