

INSTALLATION GUIDE:

LINEAR WALL LIGHT
990.0304.01



IMPORTANT:

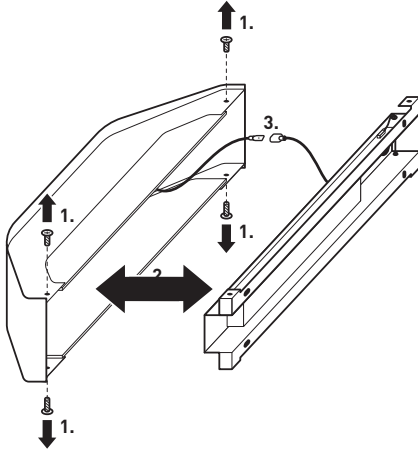
The luminaire must not be covered by any debris or insulating material. Ensure there is a minimum of 50 mm airspace around the luminaire and control gear. Electrical termination must be carried out by a qualified electrician in accordance with the latest edition of IEE wiring regulations BS7671.

PLEASE RETAIN THIS GUIDE FOR FUTURE REFERENCE AND RECYCLE PACKAGING.

A

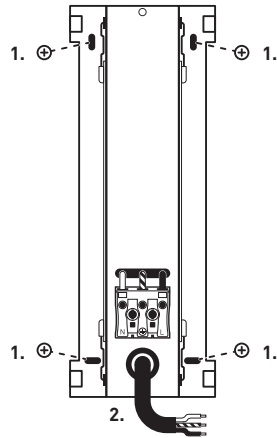


ISOLATE MAINS SUPPLY BEFORE COMMENCING INSTALLATION



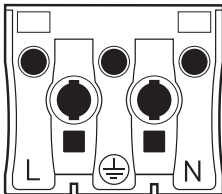
- Unscrew and remove the four screws on each side of the fitting as indicated (1).
- Carefully remove gear tray from body (2) and disconnect connector (3).

B



- Mark mounting points (1).
- Remove gear tray from wall and drill mounting holes for suitable fixings (not supplied).
- Feed mains supply through the hole on the gear tray (2) and locate as required.
- Replace gear tray on mounting surface and fix to wall securely.

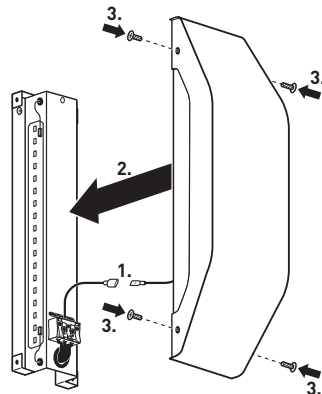
C



BROWN — BLUE
YELLOW / GREEN

- Connect mains supply (not supplied) to the terminal block on the gear tray.

D



- Re-connect connector (1), replace body over gear tray and hold in place (2).
- Re-fit screws on each side of fitting as before until secure (3).



REINSTATE MAINS SUPPLY