

151 Series Datasheet

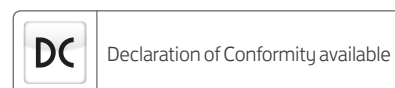
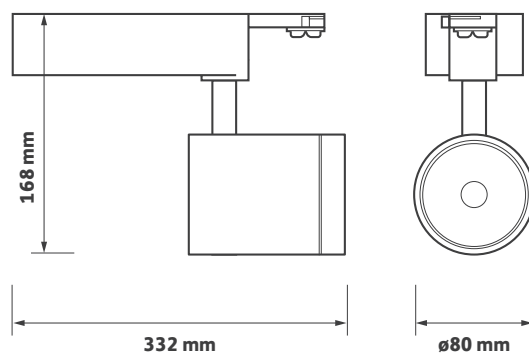
TRIDONIC
TECHNOLOGY
INSIDE



Key Features

- ▶ A contemporary track spotlight with horizontal gear housing
- ▶ Swivel and tilt adjustment for added flexibility
- ▶ High colour rendering option
- ▶ Medium beam reflector (25.6°) as standard, other beam options available
- ▶ Compatible with 3 circuit Global Trac
- ▶ Short circuit, overload and temperature protection
- ▶ 5 year warranty
- ▶ White as standard, black is also available

Technical Drawing



Ordering Information

Luminaire Output lm	Power tcW	Colour	Model Ref.
1100	10	830	151.001
925	10	930	151.001/9
1175	10	840	151.003
975	10	940	151.003/9
1975	20.5	830	151.005
1625	20.5	930	151.005/9
2075	20.5	840	151.007
1750	20.5	940	151.007/9

Options

Please select from the options below.

Black	/BK
Narrow beam 19.6°	/NB
Wide beam 36.2°	/WB
High colour rendering	/9
Excite 100K Driver	/TOP

151 Series Datasheet

TRIDONIC
TECHNOLOGY
INSIDE

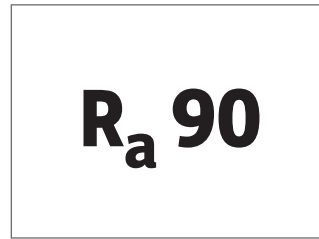
Options



/NB
Narrow beam reflector 19.6°



/WB
Wide beam reflector 36.2°



High colour rendering
See technical

Finishes



/BK
Black

Also Available



Product variations
Other colours and specifications
available on request



Vertical gear housing
See 150 Series



Track
See Stucchi ONETRACK