

INSTALLATION GUIDE:

LED TRACK SPOTLIGHT
990.0299.01




IMPORTANT:

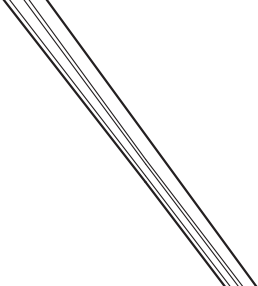
The luminaire must be mounted out of normal reach by a competent person and must not be covered by any debris or insulating material. Ensure there is a minimum of 50 mm airspace around the luminaire and control gear.

The LED modules in this product are non-user replaceable.

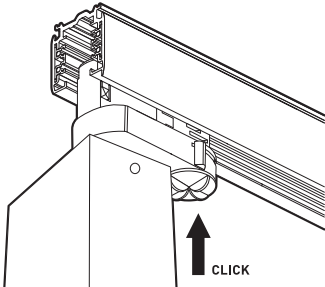
PLEASE RETAIN THIS GUIDE FOR FUTURE REFERENCE AND RECYCLE PACKAGING.

A

 **ISOLATE MAINS SUPPLY TO TRACK BEFORE COMMENCING INSTALLATION**

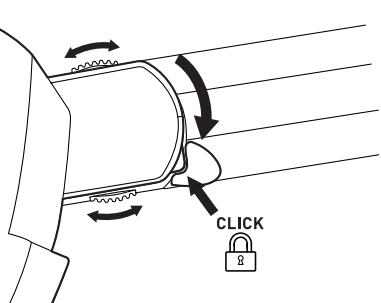


B



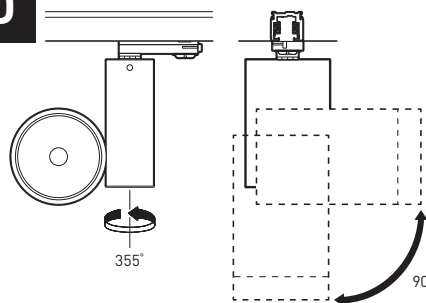
- Push up into the track, listening for the click. The spotlight can only be fitted one way; be sure to check polarity first.

C



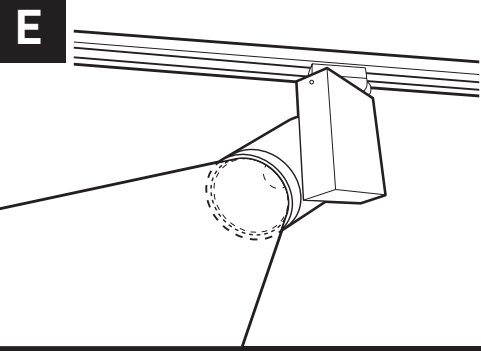
- Move fixing arm until you hear a click.
- Select the correct circuit using the dial (1, 2 or 3).


D



- Position spotlight in required location and to desired orientation.

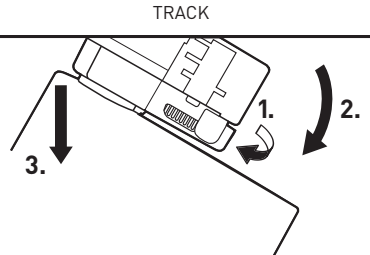
E



 **REINSTATE MAINS SUPPLY**

F

TRACK



TO REMOVE FROM TRACK

- Isolate mains supply.
- Fully unlock fixing arm.
- Tilting down the fixing arm side first, carefully remove from the track.

INSTALLATION GUIDE:

LED TRACK SPOT
990.0299.02

IMPORTANT:
The luminaire must be connected to the track by a competent individual.
If in doubt contact a qualified electrician.

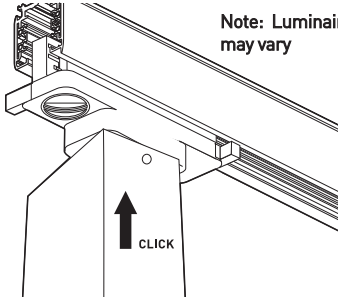
NOTE: THE LED MODULES IN THIS LUMINAIRE ARE NON-USER REPLACEABLE.
PLEASE RETAIN THIS GUIDE FOR FUTURE REFERENCE AND RECYCLE PACKAGING.



ISOLATE MAINS SUPPLY TO TRACK BEFORE COMMENCING INSTALLATION



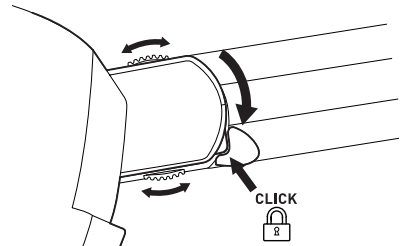
A



Note: Luminaire style may vary

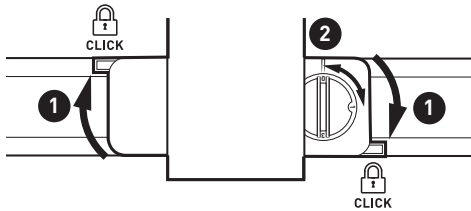
- Push spotlight up into the track, listening for the click. The spotlight can only be fitted one way, ensure to check polarity first. - DO NOT FORCE

B1 - NOT DALI



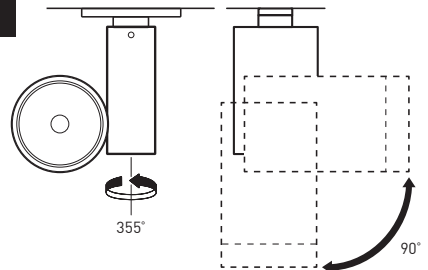
- Move fixing arm until you hear a click.
- Select the correct circuit using the dial (1, 2 or 3).

B2 - DALI ONLY



- Turn BOTH fixing arms until you hear a click (1).
- Select the correct circuit (1, 2 or 3) (2).

C



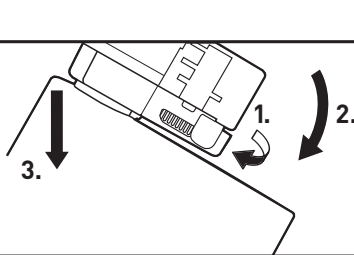
- Position spotlight to desired orientation.



REINSTATE MAINS SUPPLY

TO REMOVE FROM TRACK - NOT DALI

- Isolate mains supply.
- Fully unlock fixing arm.
- Tilting down the fixing arm side first, carefully remove from the track.



TO REMOVE FROM TRACK - DALI ONLY

- Isolate mains supply.
- Fully unlock BOTH fixing arms.
- Carefully remove from the track by pulling straight down.

