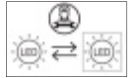


Vapour-proof LED linear

INSTALLATION GUIDE

990.0277.01 REV1 - 07/02/2024

Important



The light source and control gear in this luminaire shall only be replaced by the original manufacturer, service agent or a similarly qualified person.



Please refer to product technical datasheet for light source energy class information.

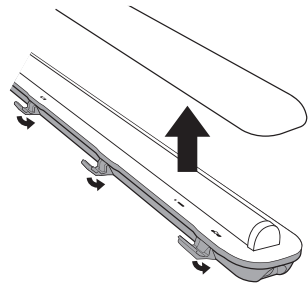
This luminaire has an ingress protection rating of **IP65** once installed.

Please retain this guide for future reference and recycle packaging.



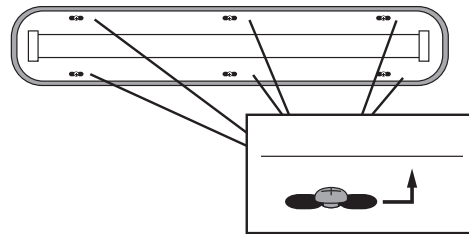
1

Isolate mains supply before commencing installation



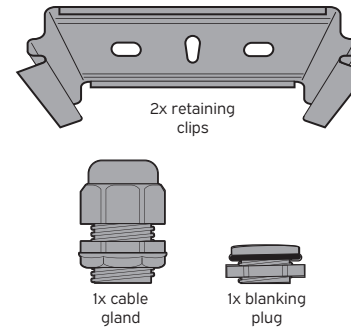
- Undo clips around luminaire and remove diffuser.

2



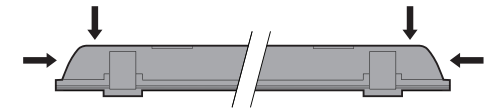
- Loosen fixing screws on top of gear tray and, using keyholes, slide out gear tray and store safely.

3



- Fixing pack will be located under gear tray.

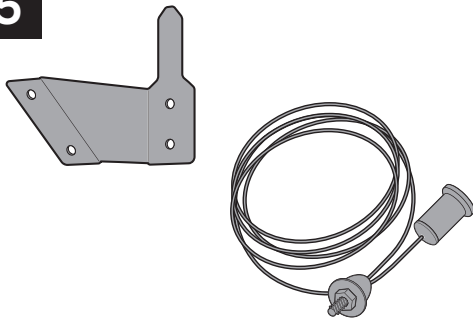
4



- Select cable entry / exit points. Drill out any blanked openings as required.
- To maintain IP rating use gland and blanking plug supplied (ø16 mm holes required) and tighten to 1.0 Nm torque.

IMPORTANT: Separate gear tray and body before drilling.

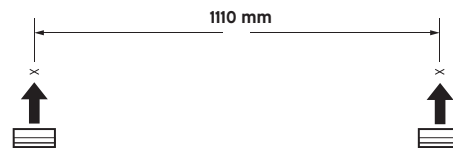
5



IF USING AN OPTIONAL MOUNTING KIT PLEASE REFER TO ADDITIONAL INSTALLATION GUIDE SUPPLIED IN KIT.

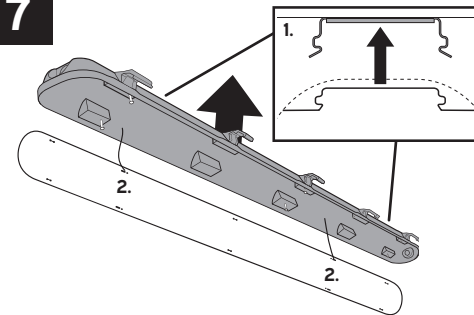
6

ENSURE MOUNTING SURFACE IS FLAT, EVEN AND CAPABLE OF SUPPORTING WEIGHT OF LUMINAIRE



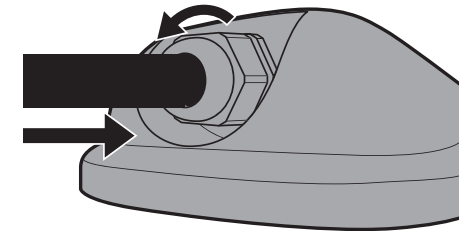
- Mark positions of required mounting points on mounting surface as shown.
- Fix retaining clips onto mounting surface.

7



- Locate and push back of luminaire into retaining clips until secure (1).
- Suspend gear tray using plastic tethers (2).

8

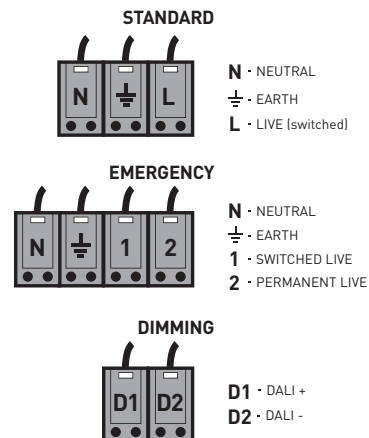


- Feed mains cable through cable gland until it reaches terminal block and tighten gland to torque of 0.9 Nm.

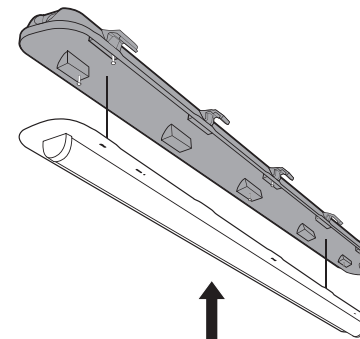
9

Connect LED driver to mains supply

- Installation must be performed by a qualified person in accordance with the latest edition of the IEE wiring regulations BS7671.
- For SwitchDIM, link D2 to N and connect D1 to mains via a push-to-make retractive switch.
- For variants fitted with DALI control gear, please refer to supplementary installation guide.

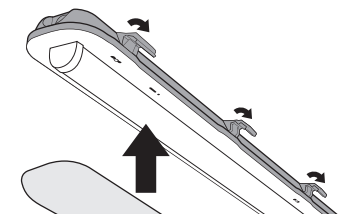


10



- Lift and slide gear tray back into place and tighten screws ensuring no wires are trapped.

11



- Clip diffuser back into place and secure all clips to maintain IP rating.

IMPORTANT: If metal diffuser clips have been supplied as an accessory, please remove plastic clips and discard responsibly and replace with metal clips.

Reinstate mains supply

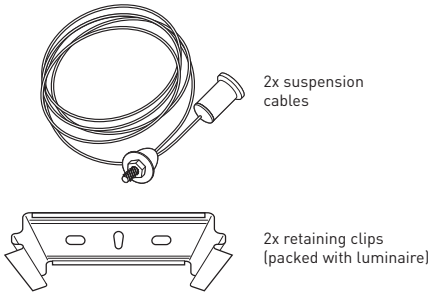


INSTALLATION GUIDE:

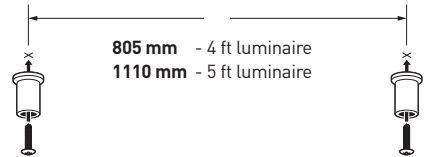
VAPOUR PROOF LINEAR SUSPENSION KIT
990.0298.01

PLEASE RETAIN THIS GUIDE FOR FUTURE REFERENCE AND
RECYCLE PACKAGING.

F1 TO BE USED IN CONJUNCTION WITH GUIDE 990.0277.01

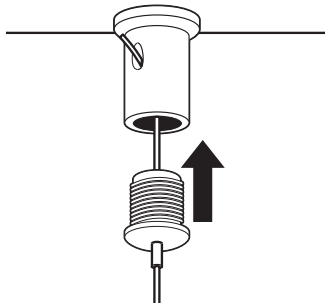


F2 ENSURE MOUNTING SURFACE IS CAPABLE OF SUPPORTING WEIGHT OF LUMINAIRE



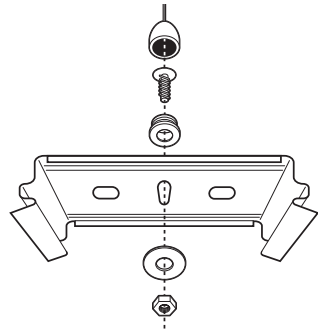
- Mark the positions of the required mounting points on the mounting surface as shown.
- Unscrew the ceiling mount cups and fix to the ceiling using suitable fixings.

F3



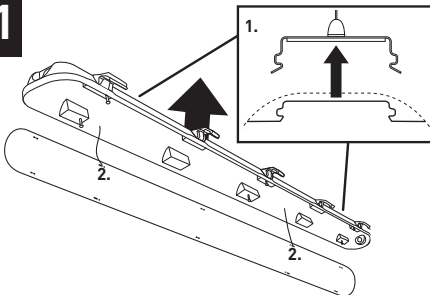
- Feed the suspension cable up through the exit hole in the ceiling cup and screw the lower section into the cup.

F4



- Attach the retainer clips onto the hanging ends of the suspension cables and secure.

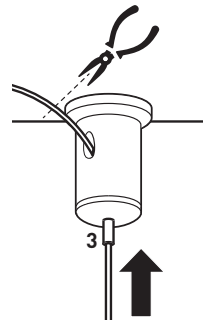
G1



- Locate and push the back of the luminaire into the retaining clips until secure (1).
- Suspend the gear tray using the plastic tethers (2).

G2

- Push the suspension cable up through the clutch (3) to the required length and trim off any excess.
- To adjust cable downward, first ensure that the weight of the luminaire is supported, then push the clutch (3) up to release the cable.



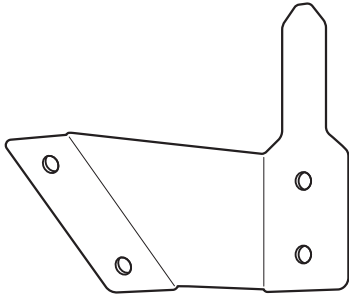
CONTINUE TO INSTALLATION GUIDE 990.0277.01
SECTION H

INSTALLATION GUIDE:

VAPOUR PROOF LINEAR CORNER MOUNT KIT
990.0297.01

PLEASE RETAIN THIS GUIDE FOR FUTURE REFERENCE AND
RECYCLE PACKAGING.

F1 TO BE USED IN CONJUNCTION WITH GUIDE 990.0277.01



2x corner
brackets



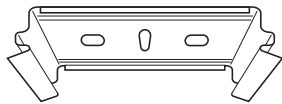
4x nuts



4x washers

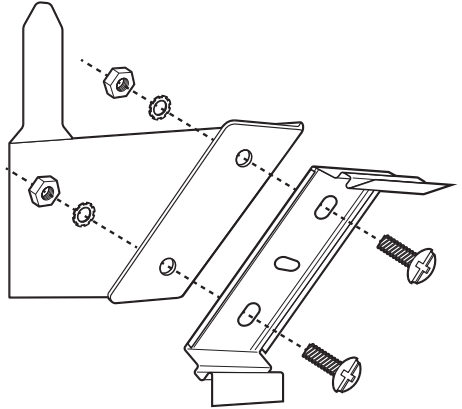


4x screws



2x retaining clips
(packed with luminaire)

F2

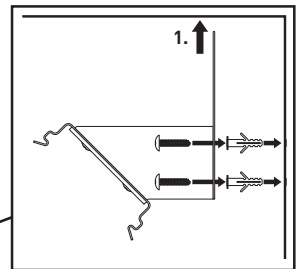
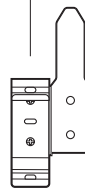


- Attach the retaining clips to the corner mount brackets, using the supplied screws, nuts and washers.

F3 ENSURE MOUNTING SURFACE IS FLAT AND EVEN AND CAPABLE OF SUPPORTING WEIGHT OF LUMINAIRE



805 mm - 4 ft luminaire
1110 mm - 5 ft luminaire



- Fix the corner mount brackets onto the wall using suitable fixings, ensuring they are aligned to the top of the ceiling (1).

CONTINUE TO INSTALLATION GUIDE 990.0277.01 SECTION G