

# INSTALLATION GUIDE:

DECORATIVE LED PENDANT  
990.0272.01



## IMPORTANT:

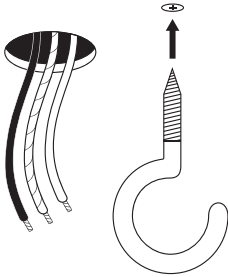
The luminaire must not be covered by any debris or insulating material. Electrical termination must be carried out by a qualified electrician in accordance with the latest edition of IEE wiring regulations BS 7671.

**PLEASE RETAIN THIS GUIDE FOR FUTURE REFERENCE AND RECYCLE PACKAGING.**

**A**

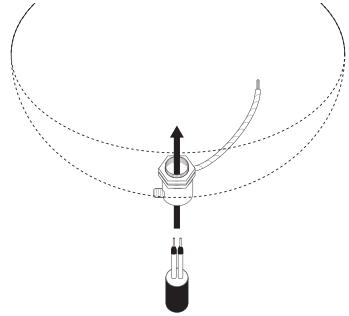


**ISOLATE MAINS SUPPLY BEFORE COMMENCING INSTALLATION**



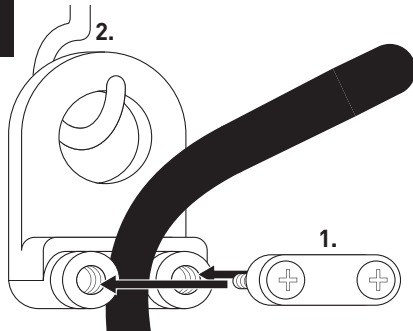
- Secure a suitable hook (not supplied) adjacent to the mains supply.

**B**



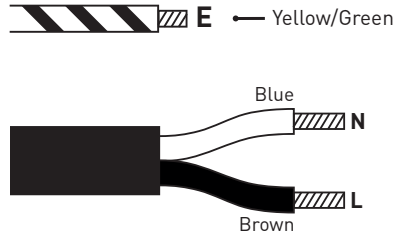
- Thread cable through black gland in the base of the ceiling cup.

**C**



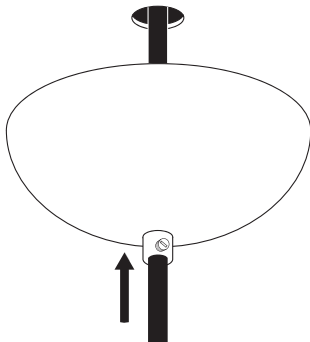
- Secure eyelet onto mains cable at desired position **(1)** and hang onto hook **(2)**.
- Trim cable if necessary.

**D**



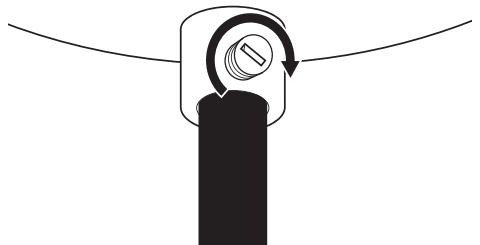
- Connect the luminaire to the mains supply using a terminal block (not supplied) compliant with the requirements of EN60998-2-1 or 2-2.

**E**



- Slide ceiling cup until it meets the ceiling surface, ensuring no cables are trapped.

**F**



- Tighten grub screw to hold ceiling cup securely in place.



**REINSTATE MAINS SUPPLY**