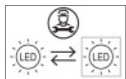


LED light box

INSTALLATION GUIDE

990.0273.01 REV2 - 20/12/2023

Important



The light source and control gear in this luminaire shall only be replaced by the original manufacturer, service agent or a similarly qualified person.



Please refer to product technical datasheet for light source energy class information.

This luminaire has an ingress protection rating of **IP54** from the room side once installed.

Please retain this guide for future reference and recycle packaging.



This luminaire must not be covered with thermally insulating material.

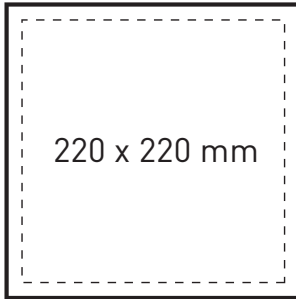


1

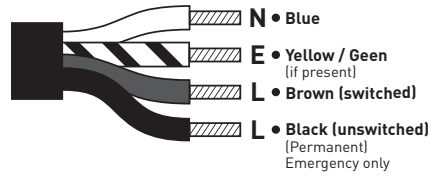
Isolate mains supply before commencing installation



- Cut a 220 x 220 mm hole at required location.

**2**

Connect LED driver to mains supply

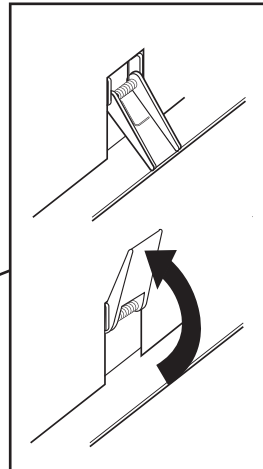
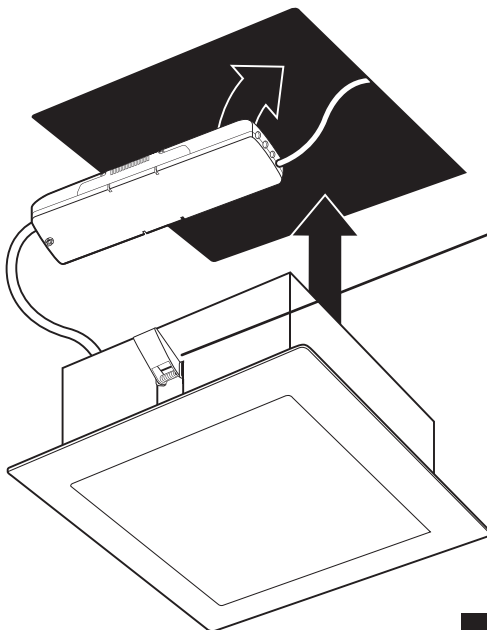


- Terminal block not included. Installation must be performed by a qualified person in accordance with the latest edition of the IEE wiring regulations BS7671.
- If no terminal block is available, carefully remove supply leads from control gear and connect directly into terminals, taking care to follow markings on housing.
- For variants fitted with DALI control gear, please refer to supplementary installation guide.

3

- Insert driver into ceiling void.

Note: Driver style may vary



- Retract fixing springs and insert luminaire into ceiling aperture, ensuring there is at least 50 mm air space around the luminaire body and all control gear.

Reinstate mains supply

