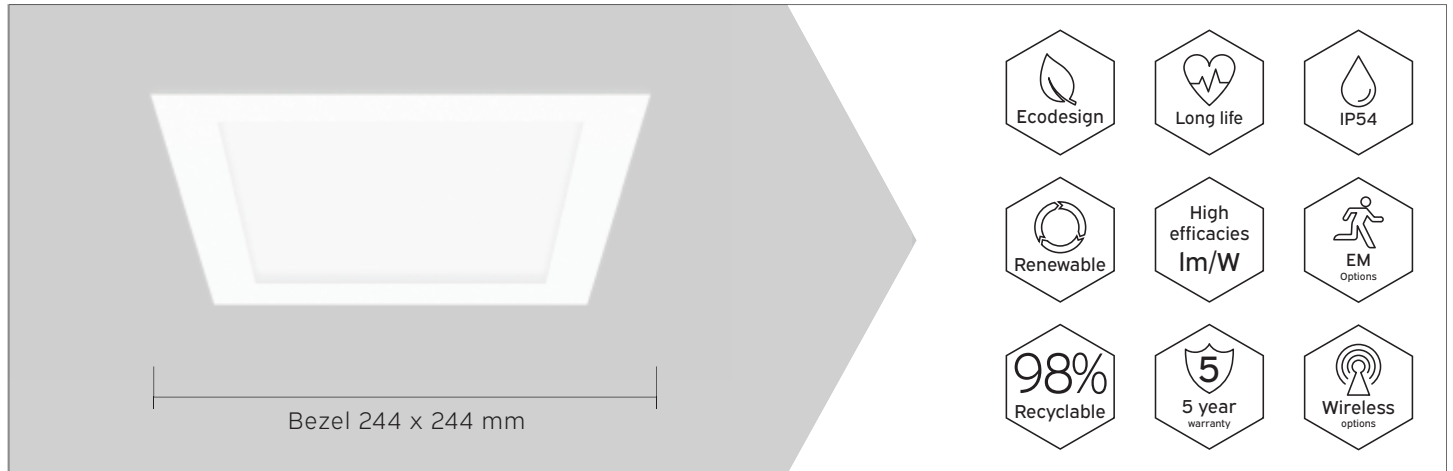


125 Series

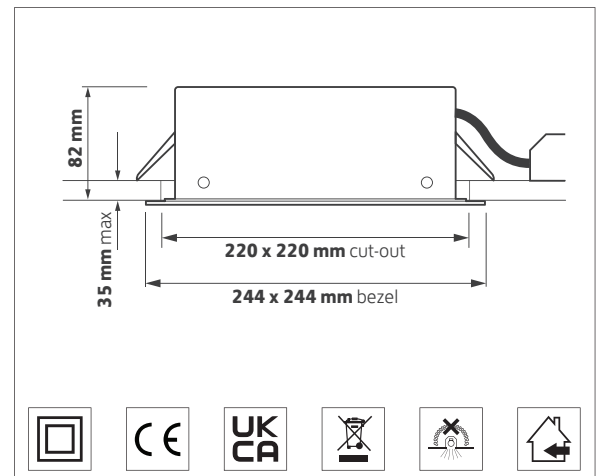
Data Sheet



KEY FEATURES

- Back-lit IP54 LED light box
- Ultra-thin bezel for minimal visual impact
- High transmission acrylic diffuser
- Uniform light distribution
- Tridonic CLE module and driver system
- Finished in white RAL 9010
- Height under 100 mm
- Emergency, DALI, dimming and wireless network control options
- Long life >72,000 hours @ L80 / F10
- 5 year warranty

DIMENSIONS



ORDERING INFORMATION

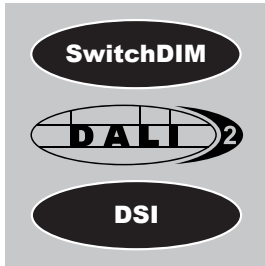
Luminaire output (lm)	Colour temp	Luminaire power (tcW)	Light source efficacy (lm/W)	Luminaire efficacy (lm/tcW)	Model ref.
700	830	7.0	205	100	125.001
725	840	7.0	215	104	125.002
1125	830	10.5	194	107	125.003
1175	840	10.5	203	112	125.004
1525	830	14.0	180	109	125.005
1600	840	14.0	190	114	125.006
2100	830	20.5	172	102	125.007
2225	840	20.5	180	109	125.008

OPTIONS

Options	Suffix
Control gear	/ECO, /BTC
Emergency - Remote indicator	/EM, /EMD, /EMM
Product variations available	PV.

125 Series

Options



/ECO

SwitchDIM, DALI & DSI



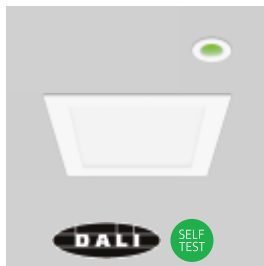
/BTC

Casambi wireless network inc. dimming



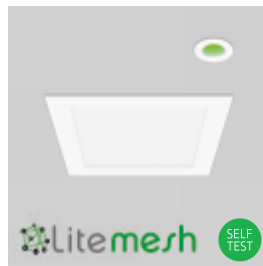
/EM

Emergency Remote indicator



/EMD

DALI / Self test EM Remote indicator



/EMM

Wireless mesh EM Remote indicator

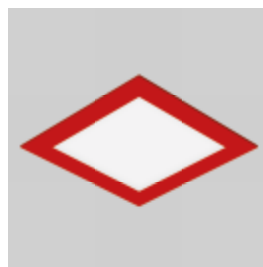
PV - PRODUCT VARIATIONS



PV - Contact Sales
Choice of connectors



PV - Contact Sales
LSZH / LSF cable



PV - Contact Sales
Any RAL colour