

110 Series Datasheet

TRIDONIC
TECHNOLOGY
INSIDE

LUMEN LOOP



/MF50



/SP40

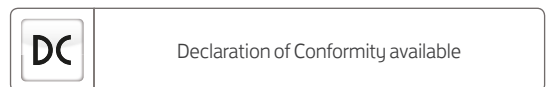
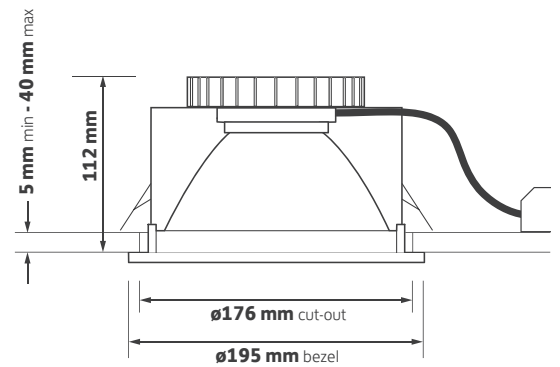


195 mm

Key Features

- ▶ Professional LED Downlight
- ▶ Tridonic Advance LED and driver combination
- ▶ Part L and ECA compliant efficacies
- ▶ Low glare <UGR19 for LG7 compliance
- ▶ Lumen maintenance L80 / F10 @ 50,000 hours
- ▶ 60° satin etch reflector as standard
- ▶ Tunable white version, HCL variant
- ▶ 5 year warranty

Technical Drawing



Ordering Information

Luminaire Output lm	Power tcW	Colour	Model Ref.
1150	11	830	110.2001
1075	10	840	110.2003
1900	19.5	830	110.2002
1875	18	840	110.2004
2700	26.5	830	110.3002
2825	26.5	840	110.3004
1725	17.5	927 - 965	110.2000/TUNE

Options

Please select from the options below.

TA300 bezel accessory	/WH /BWH /BL /GY
50° multi-faceted reflector	/MF50
40° specular reflector	/SP40
IP65 bezel option	/65
SwitchDIM, DALI or DSI	/ECO
Casambi Bluetooth wireless network	/BTC
EM conversion	/EM
DALI and Self-test EM conversion	/EMD
EM conversion (integral indicator)	/EMI
DALI & Self-test EM (integral indicator)	/EMDI

Emergency options not available on tunable white version

110 Series Options and Accessories

LUMENLOOP

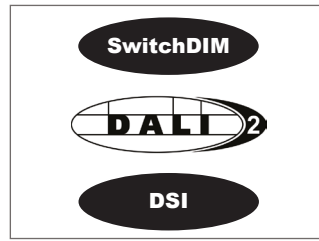
Options



/MF50
50° Multifaceted reflector



/SP40
40° Specular reflector



/ECO
SwitchDIM, DALI or DSI



/EM
EM conversion



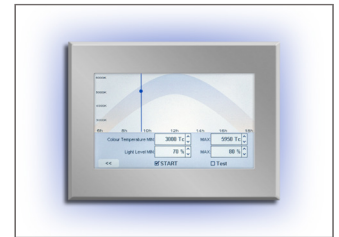
/EMD
DALI and self-test EM conversion



/EMI
Integral indicator for EM conversion



/EMDI
Integral indicator for DALI and self-test EM conversion



LCP/XET
Lighting Control Panel / XE Touch
For use with tunable white option



/BTC
Casambi Bluetooth wireless network
(inc dim)

Bezel Finish



TA300/WH
White bezel - RAL9010



TA300/BWH
Brilliant white bezel - RAL9016



TA300/BL
Black bezel - RAL9005



TA300/GY
Grey bezel - RAL9006



AT300/WH, /BWH, /BL, /GY
Anti-tamper bezel



GF208 / GF218
Anti-tamper driver / Anti-tamper bit

110 Series Options and Accessories

LUMENLOOP



TA301
White bezel complete with outer etched glass



TA302
White bezel complete with clear glass



TA303
White bezel complete with centre etched glass



TA305
White bezel complete with clear halo glass



TA306
White bezel complete with etched halo glass



TA307
White bezel complete with fully etched glass



/65
Universal bezel to accept IP65 accessories



IP65/002/195
IP65 Clear glass



IP65/008/195
IP65 Opal polycarbonate



IP65/009/195
IP65 Clear polycarbonate



GF008 / GF010
Anti-tamper driver / Anti-tamper bit for IP65 bezel

110 Series Options and Accessories

LUMENLOOP



TA310/FROST
Frosted snoot



TA310/BLUE
Blue snoot



PV - Contact Sales
Black snoot



TA340
IP54 Clear glass



TA341
IP54 Centre etched glass



TA342
IP54 Full etched glass



TA343
IP54 Clear polycarbonate



TA344
IP54 Opal polycarbonate



TA317
IP44 Prismatic lens



TA384
Frosted hi-light



TA385
Blue hi-light



HALOKIT.002
Halo kit - maximum cut-out 250 mm