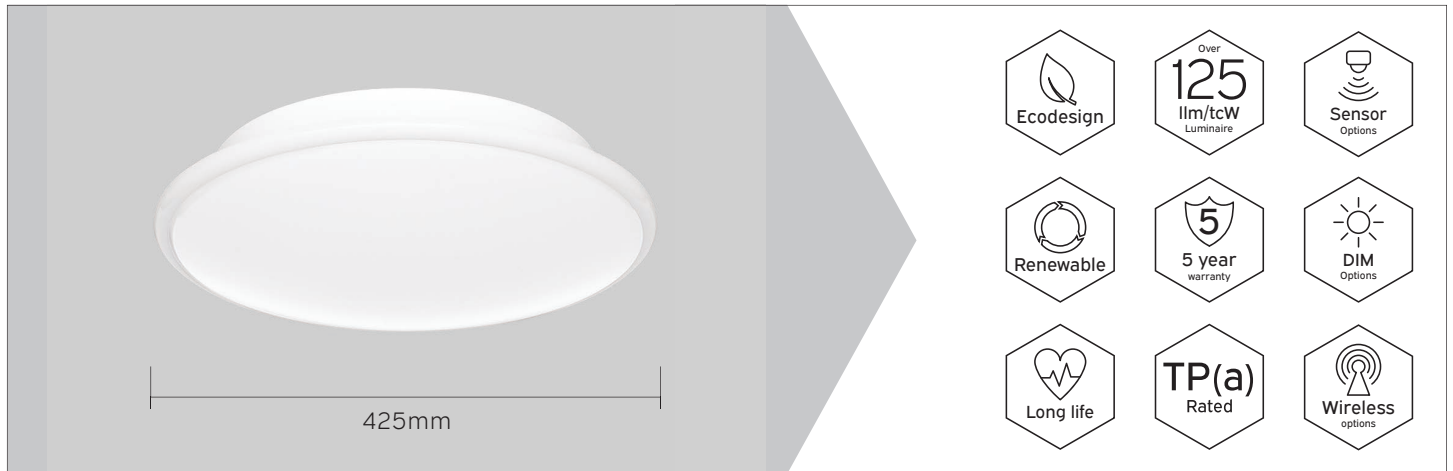


109 Series

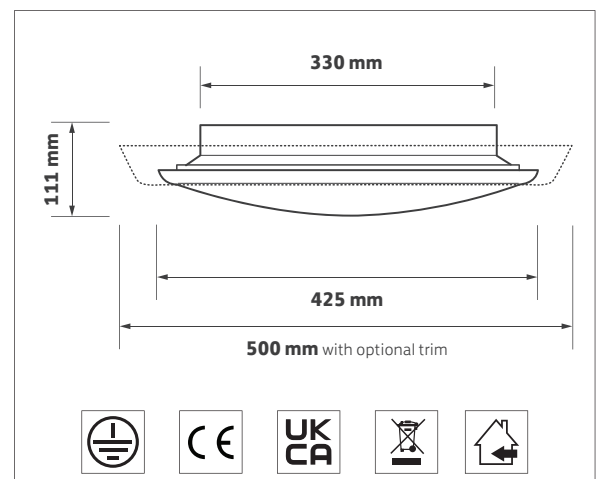
Data Sheet



KEY FEATURES

- High performance LED surface mount bulkhead
- High transmission, low spotting opal diffuser
- TP(a) rated BS2781-0:2004
- 2 x 20 mm conduit entry points
- Tridonic LED and driver system inside
- High luminaire efficacies >125 lm/tcW
- 3 step MacAdam (SDCM)
- Long life >72,000h L80/F10
- DALI, Bluetooth and emergency options
- Integral microwave presence detector options
- 5 year warranty

DIMENSIONS



ORDERING INFORMATION

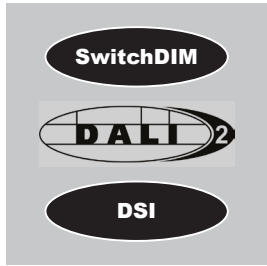
Luminaire output (lm)	Colour temp	Luminaire power (tcW)	Light source efficacy (lm/W)	Luminaire efficacy (lm/tcW)	Model ref.
1450	830	11	184	130	109.001
1525	840	11	194	136	109.002
2000	830	15	178	130	109.003
2100	840	15	188	137	109.004
2775	830	21	178	135	109.005
2925	840	21	187	142	109.006
3750	830	28	169	133	109.007
3925	840	28	178	139	109.008

OPTIONS

Options	Suffix
Control gear	/ECO, /SO, /SD, /BTC
Emergency - Integral indicator	/EM, /EMD
Product variations available	PV.

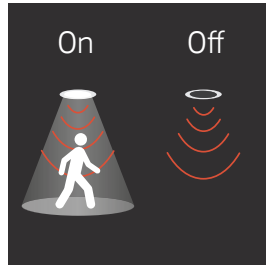
109 Series

Options & accessories



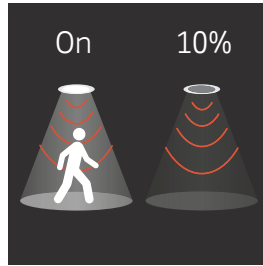
/ECO

SwitchDIM / DALI / DSI



/SO

Integral motion sensor
On / off



/SD

Integral motion sensor
On / 10% dim



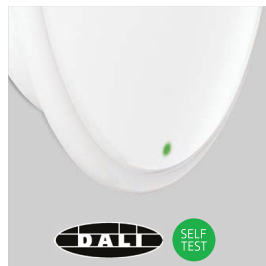
/BTC

Casambi wireless
network inc. dimming



/EM

Emergency
Integral indicator



/EMD

DALI / Self-test EM
Integral indicator



DB001

Gloss white trim



DB002

Brushed steel trim



DB003

Chrome trim

PV - PRODUCT VARIATIONS



PV - Contact Sales
Black body



PV - Contact Sales
Coloured transparent
bodies



PV - Contact Sales
Prismatic lens



PV - Contact Sales
Any RAL colour trim



PV - Contact Sales
Recessing kit