

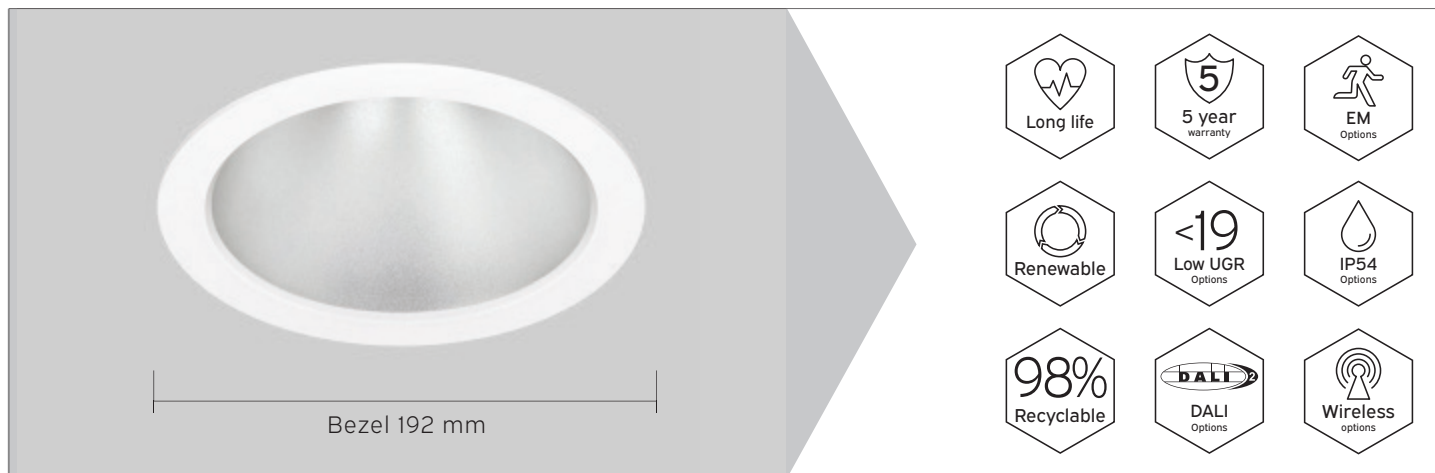
103 Series

Data Sheet



Made in the UK

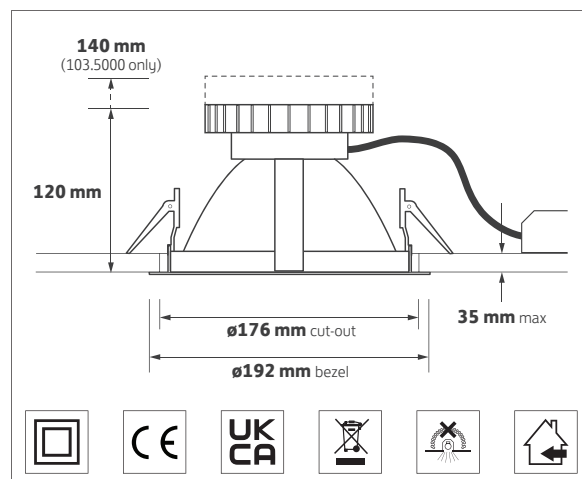
LUMENLOOP



KEY FEATURES

- Reduced profile bezel to minimise visual impact - RAL 9016 white
- 60° satin etched reflector - Multi-faceted & specular options
- Philips DLM LED module and driver system
- Tunable white option (Tridonic DLE)
- DALI, dimming, emergency and wireless control options
- Nominal rated life >60,000 hrs @ L70/B10
- MacAdam colour tolerance 3 SDCM

DIMENSIONS



ORDERING INFORMATION

Luminaire output (lm)	Colour	Luminaire power (tcW)	Luminaire efficacy (lm/tcW)	Model ref.
1025	830	9.5	108	103.1100.30
1100	840	9.5	116	103.1100.40
1750	830	17.5	100	103.2000.30
1900	840	17.5	109	103.2000.40
2700	830	30.0	90	103.3000.30
2925	840	30.0	98	103.3000.40
4200	830	46.5	90	103.5000.30
4550	840	46.5	98	103.5000.40
1925	927 - 965	27.5	70	103.2000/TUNE

OPTIONS

Options	Suffix
Reflectors	MF50, /SP40
Control gear	/T+DALI, /BTC
IP54 clear lens option	/54
Emergency - Remote indicator	/EM, /EMD
Emergency - Integral indicator	/EMI, /EMDI

Note: Emergency options not available with tunable white.

103 Series

Options



/MF50

50° multi-facet
reflector



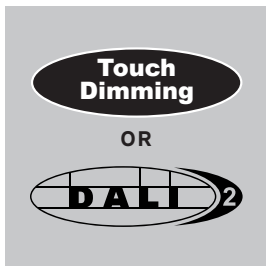
/SP40

40° specular
reflector



/54

IP54 sealed lens



**Touch
Dimming**

OR

DALI 2

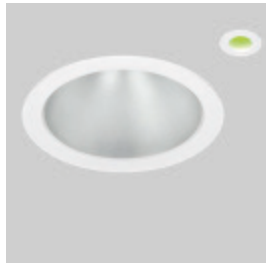
/T+DALI

Touch dimming or DALI
control gear



/BTC

Casambi wireless net-
work inc. dimming



/EM

Emergency
Remote indicator



/EMD

DALI / Self test EM
Remote indicator



/EMI

Emergency
Integral indicator



/EMDI

DALI / Self test EM
Integral indicator

103 Series

Accessories



LUMENLOOP

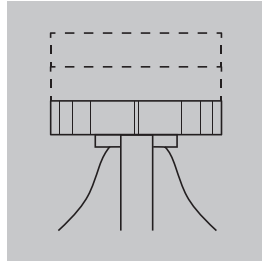
PV - PRODUCT VARIATIONS



PV - Contact Sales
Choice of connectors



PV - Contact Sales
LSOH / LSF cable



PV - Contact Sales
High ambient
temperatures

RELATED PRODUCTS



See 78 & 96 Series
130mm downlights



See 10 & 11 Series
Low glare 192 mm
downlights



See 100 Series
240mm downlights



See 87 Series
Surface / suspended
downlights



See 62 Series
IP65



See 62 Series
Twist & lock bezel



See 62 Series
Twist & lock bezel
& accessories

Please note: Specification values may change due to rapid development of lighting technology. All performance data is taken at an ambient temperature of +25°C. Data may be rounded up/down for illustrative purposes. We reserve the right to amend or change details without prior notification. E&OE.