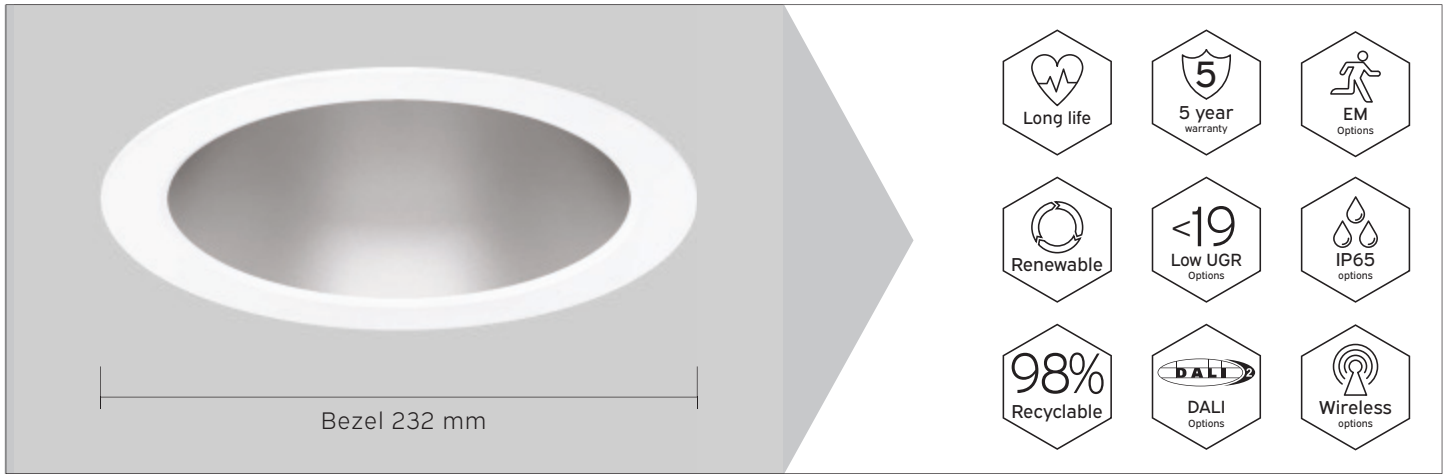


100 Series

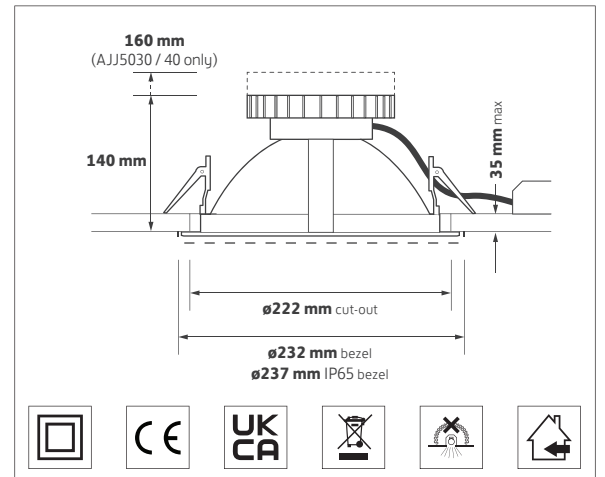
Data Sheet



KEY FEATURES

- Reduced profile bezel to minimise visual impact - RAL 9016 white
- Philips LED and driver system for optimum performance
- Tunable white option (Tridonic DLE)
- 50° satin etched reflector as standard or 40° multi-faceted option
- DALI, dimming and emergency options
- IP54 and IP65 options
- Cut-out tolerance +/- 4 mm for easier retro-fitting
- Lumen maintenance L70/B10 @ 60,000h
- 5 year warranty

DIMENSIONS



ORDERING INFORMATION

Luminaire output (lm)	Colour	Luminaire power (tcW)	Luminaire efficacy (lm/tcW)	Model ref.
1075	830	9.5	110	100.1100.30
1175	840	9.5	119	100.1100.40
1850	830	17.5	105	100.2000.30
2000	840	17.5	113	100.2000.40
2850	830	30.0	94	100.3000.30
3075	840	30.0	101	100.3000.40
4425	830	46.5	95	100.5000.30
4800	840	46.5	103	100.5000.40
2050	927 - 965	27.5	74	100.2000/TUNE

See Technical Datasheet for information on alternative reflector types

OPTIONS

Options	Suffix
Multi-faceted reflector	/MF40
Control gear	/T+DALI, /BTC
IP54 sealed clear lens	/54
IP65 bezel option	/65
Emergency - Remote indicator	/EM, /EMD
Emergency - Integral indicator	/EMI, /EMDI

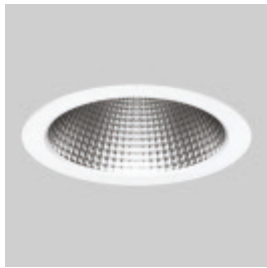
Note: Emergency options not available with tunable white.

100 Series

Options



Made in the UK



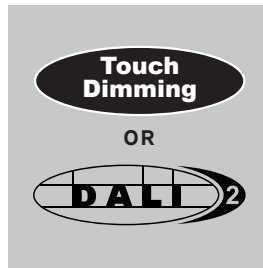
/MF40

40° multi-facet reflector



/54

IP54 sealed lens



Touch Dimming

OR



/T+DALI

Touch dimming or DALI control gear



CASAMBI

/BTC

Casambi wireless network inc. dimming



/EM

Emergency Remote indicator



/EMD

DALI / Self test EM Remote indicator



/EMI

Emergency Integral indicator



/EMDI

DALI / Self test EM Integral indicator



/65

IP65 option Add bezel choice



IP65/002/240

IP65 RAL 9010 bezel Clear glass



IP65/008/240

IP65 RAL 9010 bezel Opal polycarbonate



IP65/009/240

IP65 RAL 9010 bezel Clear polycarbonate



GF008 / GF010

Anti-tamper driver Anti-tamper bit

100 Series

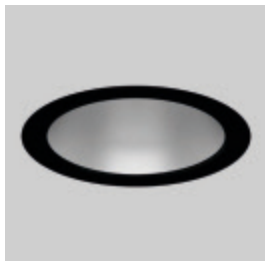
Accessories



Made in the UK

LUMENLOOP

PV - PRODUCT VARIATIONS



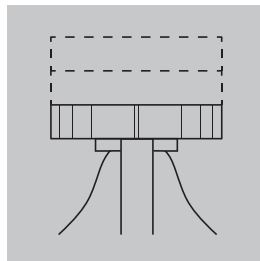
PV - Contact Sales
Any RAL colour bezel



PV - Contact Sales
Choice of connectors



PV - Contact Sales
LSOH / LSF cable



PV - Contact Sales
High ambient temperatures

RELATED PRODUCTS



See 78 & 96 Series
130mm downlights



See 10 & 11 Series
Low glare 192 mm downlights



See 87 Series
Surface / suspended downlights



See 93 Series
Asymmetric downlights

Please note: Specification values may change due to rapid development of lighting technology. All performance data is taken at an ambient temperature of +25°C. Data may be rounded up/down for illustrative purposes. We reserve the right to amend or change details without prior notification. E&OE.