

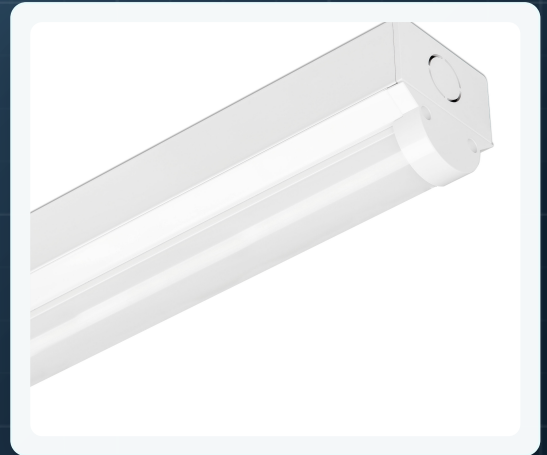
LINEAR / LED BATTEN / FLUORESCENT REPLACEMENT / TRIDONIC






Glide

4ft LED batten for T5 and T8 fluorescent replacement with efficient output and practical project options.

Glide is a cost-effective LED batten with excellent efficacy and long life for direct fluorescent replacement projects. Its 1200 mm body uses an opal diffuser for homogeneous output and a Tridonic-powered LED platform for dependable commercial use.

The aluminium body has an integrated gear tray, BESA fix mounting points and 20 mm conduit entry points. Control, emergency, sensor, Bluetooth and HubSense choices make the range suitable for standard replacement schemes and managed energy-saving upgrades.



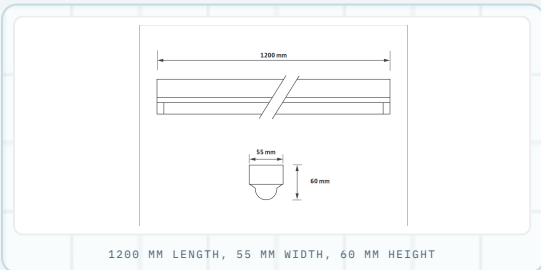
 <p>Tridonic platform 4ft LED batten powered by Tridonic.</p>	 <p>Up to 131 lm/tcW Efficient output range from 2925 lm to 5200 lm.</p>	 <p>>50,000h life Long-life L70/B50 performance for reduced maintenance.</p>	 <p>Opal diffuser Homogeneous light from a clean batten profile.</p>	 <p>BESA fix points Mounting and 20 mm conduit entry details support practical installation.</p>	 <p>Controls and EM DALI, DSi, SwitchDIM, emergency and wireless options.</p>
---	--	---	--	--	---

Key Features

<ul style="list-style-type: none"> + 4ft LED batten powered by Tridonic. + Opal diffuser for homogeneous output. + 20 mm conduit entry points. + Long life >50,000h L70/B50. + Sensor, HubSense and Bluetooth options available. 	<ul style="list-style-type: none"> + Aluminium body with integrated gear tray. + BESA fix mounting points. + High luminaire efficacies up to 131 lm/tcW. + DALI and emergency options. + 5 year warranty.
--	--

Dimensions

TECHNICAL DIMENSIONS



1200 MM LENGTH, 55 MM WIDTH, 60 MM HEIGHT

Length	1200 mm	Width	55 mm
Height	60 mm		

Ordering Information

LUMINAIRE OUTPUT (LM)	COLOUR TEMP	LUMINAIRE POWER (TCW)	LUMINAIRE EFFICACY (LM/TCW)	MODEL REF.
2925 lm	4000K	22.5 tcW	130 lm/tcW	GLIDE.001
3675 lm	4000K	28.5 tcW	129 lm/tcW	GLIDE.002
4450 lm	4000K	34.0 tcW	131 lm/tcW	GLIDE.003
5200 lm	4000K	40.0 tcW	130 lm/tcW	GLIDE.004

Options

<p>CONTROL GEAR /ECO</p>	<p>EMERGENCY /EMI, /EMDI</p>	<p>MOTION SENSORS PV - Contact Sales</p>
<p>WIRELESS CONTROL Casambi, HubSense</p>	<p>EXAMPLE CODE GLIDE.003/ECO/EMDI</p>	

Specification Options

Control, emergency, sensor and wireless choices for Glide schedules.

REV2 / MAY 2026
LL-GLIDE-DS

Specification Options

/ECO
SwitchDIM, DALI & DSI

/EMI
Integral emergency

/EMDI
Integral DALI / Self-test emergency






Product Variations

PV - Contact Sales
Integral motion sensor On / off

PV - Contact Sales
Integral motion sensor On / 10% dim

PV - Contact Sales
Casambi wireless network inc. dimming

PV - Contact Sales
HubSense wireless

     **DC** Declaration of Conformity available

Please note: Specification values may change due to rapid development of lighting technology. All performance data is taken at an ambient temperature of +25 deg C. Data may be rounded up/down for illustrative purposes. Tolerance range of optical and electrical data is +/-10%. We reserve the right to amend or change details without prior notification. E5DE.