

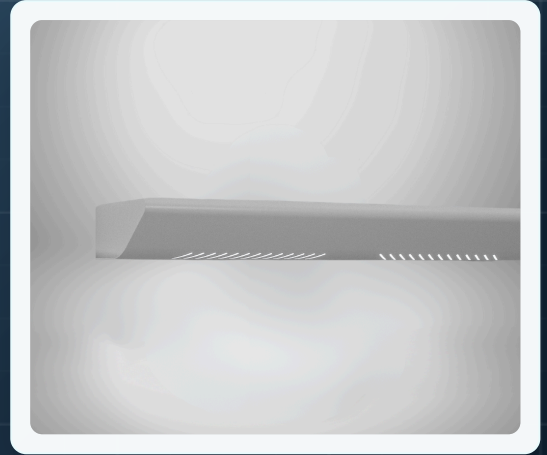
WALL MOUNTED / INDIRECT / LG7 SUPPORT

Elevate

Professional LED wall uplighter for comfortable indirect illumination.

Elevate is a wall-mounted indirect luminaire for commercial interiors where soft upward light, visual comfort and a tidy architectural profile are required.

The range uses Philips LED module and driver technology with opal acrylic diffusers for homogenous illumination, plus sensor, dimming, DALI and emergency configuration choices.



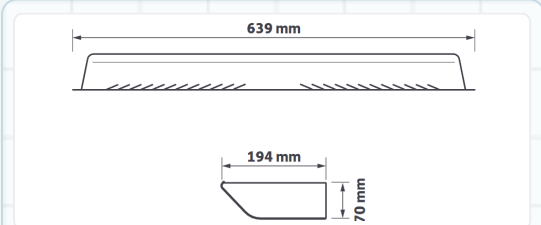
 <p>Up to 116.3 lm/tcW Efficient wall-uplight performance from the technical data.</p>	 <p>>90,000h L70 / F10 Long-life LED platform for extended service intervals.</p>	 <p>Opal acrylic diffuser Diffuser construction supports homogenous indirect illumination.</p>	 <p>Control options Sensor, touch dimming, DALI and emergency conversion options are available.</p>
--	--	--	---

Key Features

- Professional wall-mounted LED uplight.
- Philips LED module and driver system.
- Presence and daylight sensor options.
- Manufactured in the UK.
- Can be used to aid LG7 compliance.
- Opal acrylic diffuser for homogenous illumination.
- Integral emergency and dimming options.

Dimensions

TECHNICAL DIMENSIONS



TECHNICAL DRAWING: 639 MM LENGTH, 194 MM DEPTH AND 70 MM PROFILE HEIGHT.

Overall length	Projection
639 mm	194 mm
Profile height	
70 mm	

Ordering Information

MODEL REFERENCES

LUMINAIRE OUTPUT (LM)	POWER (TCW)	COLOUR TEMP	MODEL REF.
1625	15	3000K	ELEVATE.001
1625	15	4000K	ELEVATE.002
2350	23	3000K	ELEVATE.003
2350	21	4000K	ELEVATE.004
2950	29	3000K	ELEVATE.005
2950	25	4000K	ELEVATE.006

Options

SPECIFICATION SUFFIXES

FINISH /BK black body	SENSOR /EA presence and daylight sensor	CONTROL GEAR /T+DALI touch dimming / DALI
EMERGENCY /EM emergency conversion	VARIATIONS ELEVATE.ACC.01 available on request	

Specification Options

Selectable finish, control, sensor and emergency choices for Elevate project schedules.





Specification Options

 <p>/T+DALI Touch dimming / DALI</p>	 <p>/EA Presence and daylight sensor</p>	 <p>/EM EM conversion</p>	 <p>/BK Black (RAL 9005)</p>
--	--	--	--

Product Variations

PRODUCT
PV
VARIATION

ELEVATE.ACC.01
Other colours and specifications available on request

				DC Declaration of Conformity available
---	---	---	---	---

Please note: Specification values may change due to rapid development of lighting technology. All performance data is taken at an ambient temperature of +25 deg C. Data may be rounded up/down for illustrative purposes. Tolerance range of optical and electrical data is +/-10%. We reserve the right to amend or change details without prior notification. E5DE.