

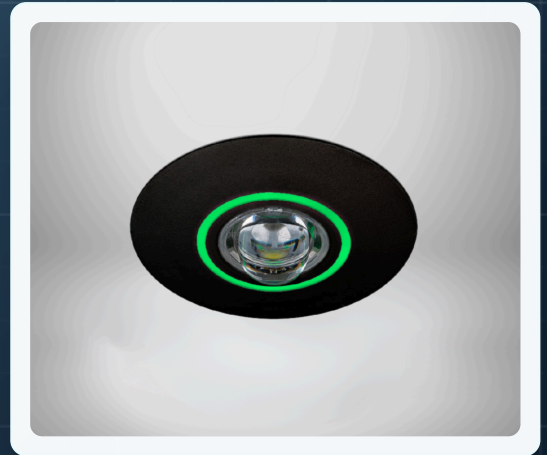
EMERGENCY LIGHTING / IP54 / 3 HOUR DURATION

Beacon Emergency

Standalone emergency LED module with open-area and corridor optic choices.

Beacon Emergency is a compact emergency module for commercial emergency lighting schedules where a discreet luminaire, 3 hour duration and selectable optics are required.

The range includes open-area and corridor outputs, IP54 protection, self-test and DALI options, plus white or black finish availability.

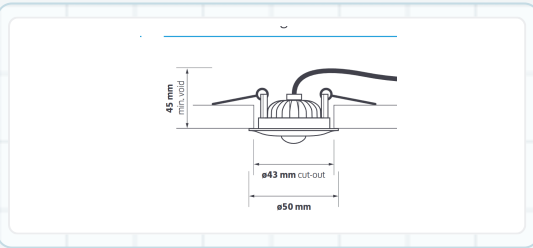


 <p>IP54 rated Ingress protection is listed as IP54 as standard.</p>	 <p>3 hour duration The emergency duration is listed as 3 hours.</p>	 <p>Two optics Open-area and corridor versions are listed.</p>	 <p>DALI / self-test DALI + self-test and EM-Pro options are available.</p>
--	--	--	---

Key Features

- + Independent LED Emergency Module
- + IP54 ingress protection as standard
- + Open area or corridor optics
- + Available in white RAL9016 or black RAL9005
- + Bi-colour circlight charge indicator
- + 3 hour emergency duration
- + Self-test and DALI options available

Technical Drawing






Cut-out Dia 43 mm	Bezel Dia 50 mm
Minimum void 45 mm	

Ordering Information

MODEL REF.	OUTPUT (LLM)	BEAM ANGLE	OPTIC
BEACONEMERGENCY.001	268	135 degree	Open area
BEACONEMERGENCY.002	266	115 x 155 degree	Corridor

Options

/BK Black finish	/END DALI + self-test	/EMP EM-Pro (void access required)
---------------------	--------------------------	---------------------------------------

		UK CA	CE		DC	Declaration of Conformity available
---	---	-------	----	---	----	-------------------------------------

Please note: Specification values may change due to rapid development of lighting technology. All performance data is taken at an ambient temperature of +25 deg C. Data may be rounded up/down for illustrative purposes. Tolerance range of optical and electrical data is +/-10%. We reserve the right to amend or change details without prior notification. E5DE.